

## *pH – Rx Polycarbonate Electrodes with cable*

### **FEATURES**

Welldana polycarbonate body electrodes are available with a selection of cable lengths. These probes are suitable for chemically aggressive fluids, including the following applications: swimming pools, seawater plants, water treatment, drinking water, detergent, aqueous solutions and emulsions. The probes also feature a BNC connector protected by a rubber cap. Please note that the electrode lifetime may vary depending on the type of installation, temperature and operating conditions.

- pH range: **0 ~ 14 pH**
- RX range: **± 2000 mV**
- Temperature range: **0 ~ 60°C**
- Maximum pressure: **up to 4 bar (60 psi)**
- pH junction: **single junction, Pellon**
- RX junction: **single junction, Pellon**
- pH Material: **Polycarbonate Body, pH glass, silicone, Pellon**
- Rx Material: **Polycarbonate Body, Platinum (0,5mm OD) sealed in glass, silicone, Pellon**
- Cable: **low-noise coaxial**

### **CALIBRATION AND MEASURE**

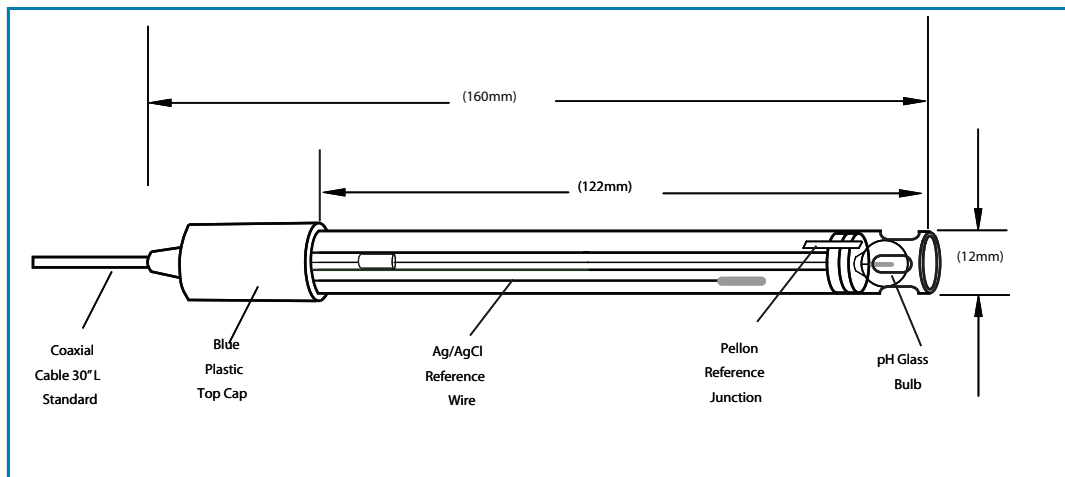
The frequency of calibration depends of the quality of the electrode, the type of pH/Rx controller and the characteristics of the solution to be measured. The electrode and the controller must be calibrated at the same time, with time intervals based on the experience of the specific system.

### **Useful advice**

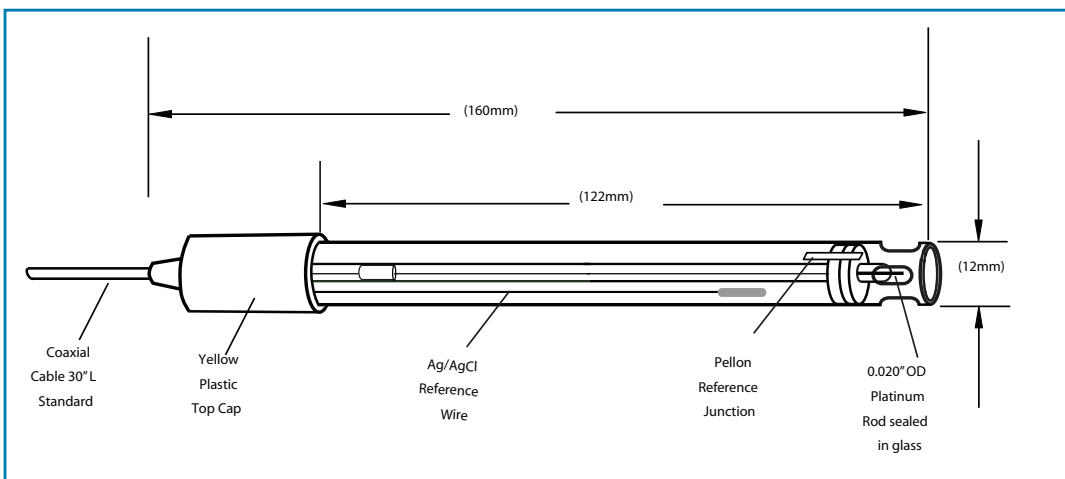
- Remove the electrode from the appropriate storage bottle or from the protection cap.
- Clean the electrode with pure water to make the electrode is ready for use.
- Always follow the calibration procedures indicated in the instruction manual of the pH/Rx controller.
- Use always clean and uncontaminated buffer solutions.

## STORAGE AND CLEANING

- Always keep the electrodes wet in bottles or in the protective caps containing fluid. Electrodes left dry for a long period will have a lag in their response.
- The chemical residues that remain in contact with the electrodes after use can be removed using a chemical solvent suitable to different types of solution.
- To dry the electrode, use a non-abrasive cloth and do not rub: rubbing negatively affects the electrode's response times and abrasive materials can scratch the surface which has a negative impact on the accuracy of the reading.



pH



Rx