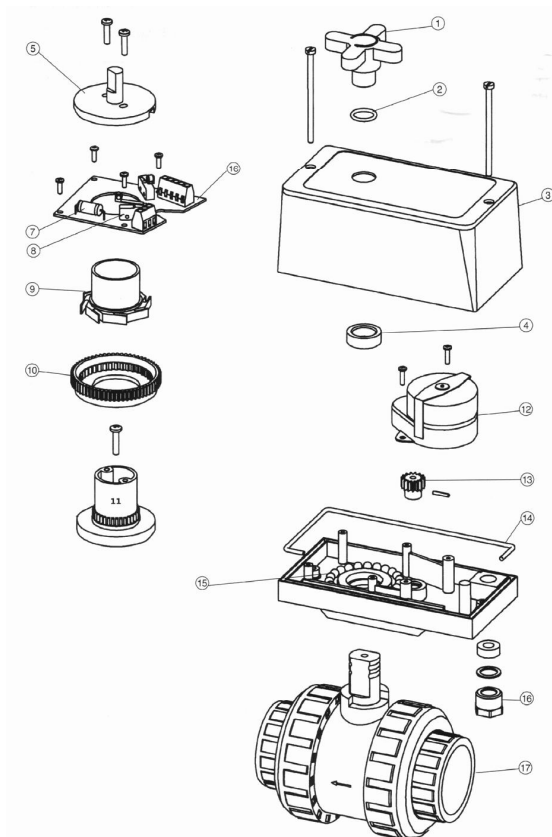


SOLAR ACCESSORIES

ELECTRIC SOLAR VALVE

Solar 3-way and 2-way electrical motor valve.

| Performance | 3-way | 2-way |
|----------------------|--------------|--------------|
| Volt | 24 - 230 vac | 24 - 230 vac |
| Amp | 0,5 A | 0,5 A |
| Pipe connection | 50 mm | 50 mm |
| Connection terminals | 6.4.11 | 6.4.11 |
| IP | 54 | 54 |
| Turn time | 24 sec | 12 sec |



NOTE:

If the valve has been standing still for more than 1 month, turn the handle manual to ensure free movement.

Spare parts for both 2 and 3 ways motor valves

| Spare part | Spare part number |
|--------------------------------------------------------|-------------------|
| 9 Gearwheel complete | 49-140088 |
| 10 Gearwheel complete | 49-140088 |
| 11 Gearwheel complete | 48-140088 |
| 12 Gearmotor inc. No. 13. 24 vac | 49-120714 |
| 13 Gearwheel small | 49-120712 |
| 16 PCB | - |
| 17 O-ring for adaptor. For old and new models | 49-140081 |
| 17-1 Adaptor 50mm. connection. For old and new models. | 49-140082 |
| 17-2 Nut / retainer for adaptor. Old model only | 49-140083 |
| 17-3 Nut / retainer for adaptor. New model only | 49-140084 |