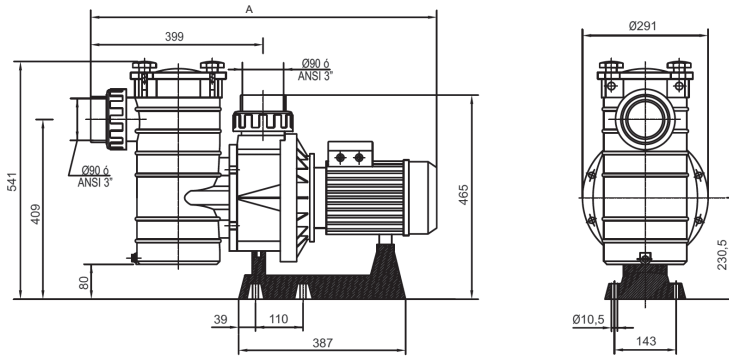


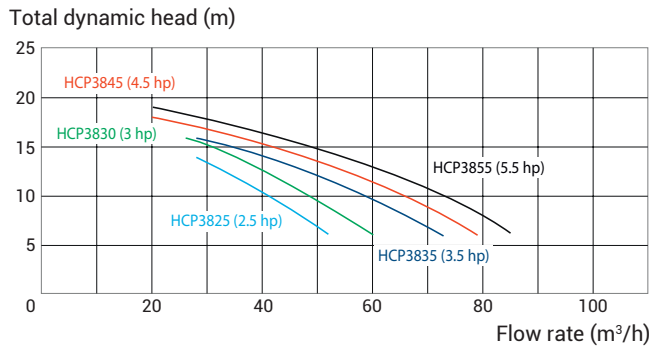


Light weight and easy to install

- Pump made of glass-fibre reinforced thermoplastics
- The three-phase motors are compliant with the IE3 standard
- Turbine made of reinforced Noryl
- This pump is suitable to be used for salt water and sea water
- Strainer with transparent cover for easy maintenance
- Elevated base to ensure proper motor ventilation
- Operates at 50 Hz / 3000 rpm, IP55, class F insulation
- For 60 Hz, please contact us. ANSI records can be provided under request.
- Usages: large pools, spas, water features



➤ HCP3800 SERIES Curves



HCP 3800 SERIES

Reference	P2 (HP)	P1 (kW)	Flow rate* (m³/h)	Inlet / Outlet (mm)	Weight (kg)	Motor	Amperage (A)	Dim A (mm)	Packaging dimensions (mm)	Qty. per pallet (uds)
HCP38251E	2.5	2.3	35	90	25.5	Single-phase 230V	12.4	760	830 x 330 x 570	-
HCP38301E	3	2.8	42	90	26.2	Single-phase 230V	14.5	760	830 x 330 x 570	-
HCP38253E1	2.5	2.3	35	90	25.5	Three-phase 230 / 400V	8.3 / 4.8	760	830 x 330 x 570	-
HCP38303E1	3	2.8	42	90	26.2	Three-phase 230 / 400V	8.8 / 5.1	760	830 x 330 x 570	-
HCP38353E1	3.5	3.7	50	90	30.5	Three-phase 230 / 400V	10.4 / 6.0	801	830 x 330 x 570	-
HCP38453E1	4.5	4.3	57	90	30.5	Three-phase 230 / 400V	11.7 / 6.75	801	830 x 330 x 570	-
HCP38553E1	5.5	4.7	67	90	35.5	Three-phase 230 / 400V	14.6 / 8.5	815	830 x 330 x 570	-
HCP38253E	2.5	2.3	35	90	-	Three-phase 230 / 400V	8.3 / 4.8	760	830 x 330 x 570	-
HCP38303E	3	2.8	42	90	-	Three-phase 230 / 400V	8.8 / 5.1	760	830 x 330 x 570	-
HCP38353E	3.5	3.7	50	90	-	Three-phase 230 / 400V	10.4 / 6.0	801	830 x 330 x 570	-
HCP38453E	4.5	4.3	57	90	-	Three-phase 230 / 400V	11.7 / 6.75	801	830 x 330 x 570	-



* under 12m water column pressure / P1: Power input / P2: Nominal Power