



TechBook

in.k800

intuitive color keypad



Full color control

On-screen audio control

Water care selection





Table of contents

| | |
|---|----|
| Warnings | 2 |
| Introduction | 3 |
| Overview | |
| - in.k800 dimensions | 4 |
| Installation | |
| - Installation of in.k800 | 5 |
| - Drilling template | 6 |
| - Installation notes | 7 |
| - Connecting in.k800 keypad to the spa pack | 7 |
| - Installation errors | 8 |
| Keypad functions | |
| - in.k800 keypad layout | 9 |
| - Settings key | 9 |
| - Mode key | 9 |
| - Power | 9 |
| - Main screen | 9 |
| - Start or stop accessories | 10 |
| - Notifications | 10 |
| - Water temperature | 11 |
| - Settings | 11 |
| - Water care | 12 |
| - Water care modes | 12 |
| - Modifying schedules | 13 |
| - Audio | 13 |
| - in.clear-200 (linked version) | 14 |
| - Maintenance | 14 |
| - Maintenance reminders | 15 |
| - Standby | 15 |
| - Date and time | 16 |
| - Keypad settings | 16 |
| - Wi-Fi | 17 |
| - Miscellaneous | 18 |
| - Electrical configuration | 19 |
| - About | 20 |
| - in.mix functions | 21 |
| - in.tune functions | 22 |
| - in.stream functions | 23 |
| - in.stream 2 functions | 24 |
| - in.clear functions | 25 |
| Error messages | 26 |
| Feature matrix | 27 |
| Specifications | 28 |



Warnings



WARNINGS

Before installing or connecting the unit, please read the following.

FAILURE TO COMPLY WITH THE FOLLOWING WARNINGS MAY SIGNIFICANTLY SHORTEN THE PRODUCT'S LIFE TIME, AND LEAD TO FAILURES AS WELL AS HAZARDOUS CONDITIONS*. COMMON SENSE MUST ALWAYS PREVAIL WHEN EVALUATING THE INSTALLATION AND/OR USE OF ANY ELECTRONIC CONTROL IN A FINAL APPLICATION.

- RESPECT ENVIRONMENTAL CONDITIONS LISTED AT END OF TECHBOOK.
- THIS UNIT MUST BE INSTALLED BY QUALIFIED PERSONNEL.
- ONLY QUALIFIED PERSONNEL ARE TO SERVICE THIS UNIT. THERE ARE NO USER SERVICEABLE PARTS INSIDE.
- THIS UNIT SHOULD BE INSTALLED ON A CLEAN FLAT SURFACE.
- THE GASKET ON THE BACK OF THE UNIT WILL PREVENT WATER INFILTRATION INSIDE, BEHIND THE MOUNTED SURFACE. IF THE GASKET IS DAMAGED, SEAL THE BACK OF THE UNIT WITH SILICONE TO AVOID ANY LEAKAGE BEHIND THE MOUNTED SURFACE.
- THIS UNIT MUST BE MOUNTED ON THE OUTSIDE EDGE OF THE SPA. SEE INSTALLATION SECTION FOR DETAILS.
- THE BACK OF THIS UNIT SHOULD NOT BE ENCLOSED IN A WAY THAT CAUSES WATER TO COLLECT. SEE INSTALLATION SECTION FOR DETAILS.

* HAZARDOUS CONDITION:

A CONDITION THAT IS POTENTIALLY DAMAGING AND/OR DANGEROUS TO THE OPERATOR OR SURROUNDINGS. THIS INCLUDES, BUT IS NOT LIMITED TO: FIRE, FLOODING OR OTHER WATER DAMAGE, DIELECTRIC BREAKDOWNS (PRESENCE OF HIGH VOLTAGE), ETC.

MAINTENANCE

If you have problems, do not attempt to repair the unit yourself. Return it to your dealer or service station for servicing.

ACCESSORY PARTS

Be sure to use only the specified accessory parts. Use of other than designated parts may damage this unit internally or may not securely install the unit in place. This may cause parts to become loose resulting in hazards or product failure.

DISPOSAL OF THE PRODUCT

The appliance (or the product) must be disposed of separately in accordance with the local waste disposal legislation in force.



Compatible spa controllers:

in.xm2, in.xe, in.yt, in.yj and in.ye with compatible software revision.

Aeware®, Gecko®, and their respective logos are Registered Trademarks of Gecko Alliance Group.

in.k800™, in.xm2™, in.xe™, in.yt™, in.ye™, in.yj™, in.tune™, in.stream™, in.stream 2™, in.mix™, in.clear™, in.touch™ and in.therm™, and their respective logos are trademarks of Gecko Alliance Group.

All other product or company names that may be mentioned in this publication are tradenames, trademarks or registered trademarks of their respective owners.



in.k800

intuitive color keypad

With its bright, full color display, the in.k800 provides an intuitive user experience, while its screen's high resolution brings hot tub user interfaces to a new level. Loaded with a large amount of memory and a powerful on-board processor we have created the seamless graphic interface that spa users have been waiting for.

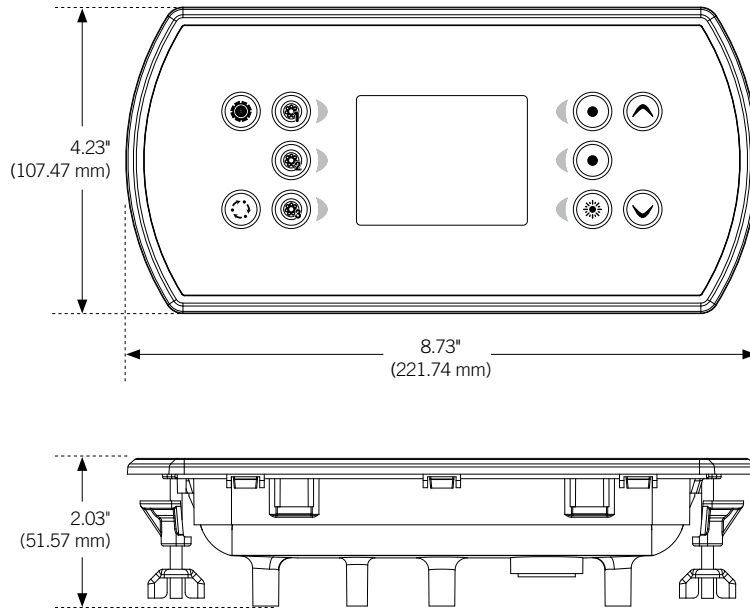
This techbook presents the different functions and menus available on your in.k800. Availability of certain functions depends on the software version of your in.k800. To find out which features are available for your software version* refer to the table of available options in the "Feature matrix" section.

* To see which software version is installed on your in.k800 refer to the "About" section.



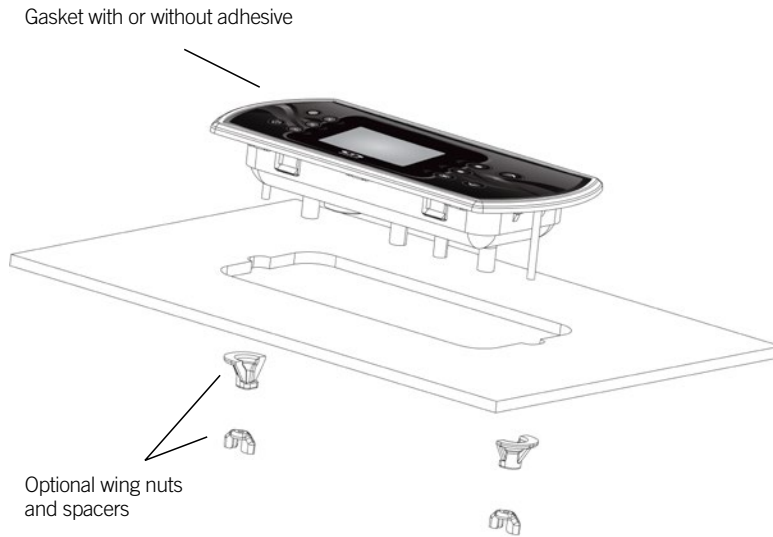
Overview

in.k800 dimensions



Installation

Installation of in.k800



To install the in.k800, use the drilling template provided in this section.

Determine the mounting location and stick the template on chosen location.

Cut out an opening according to the template.

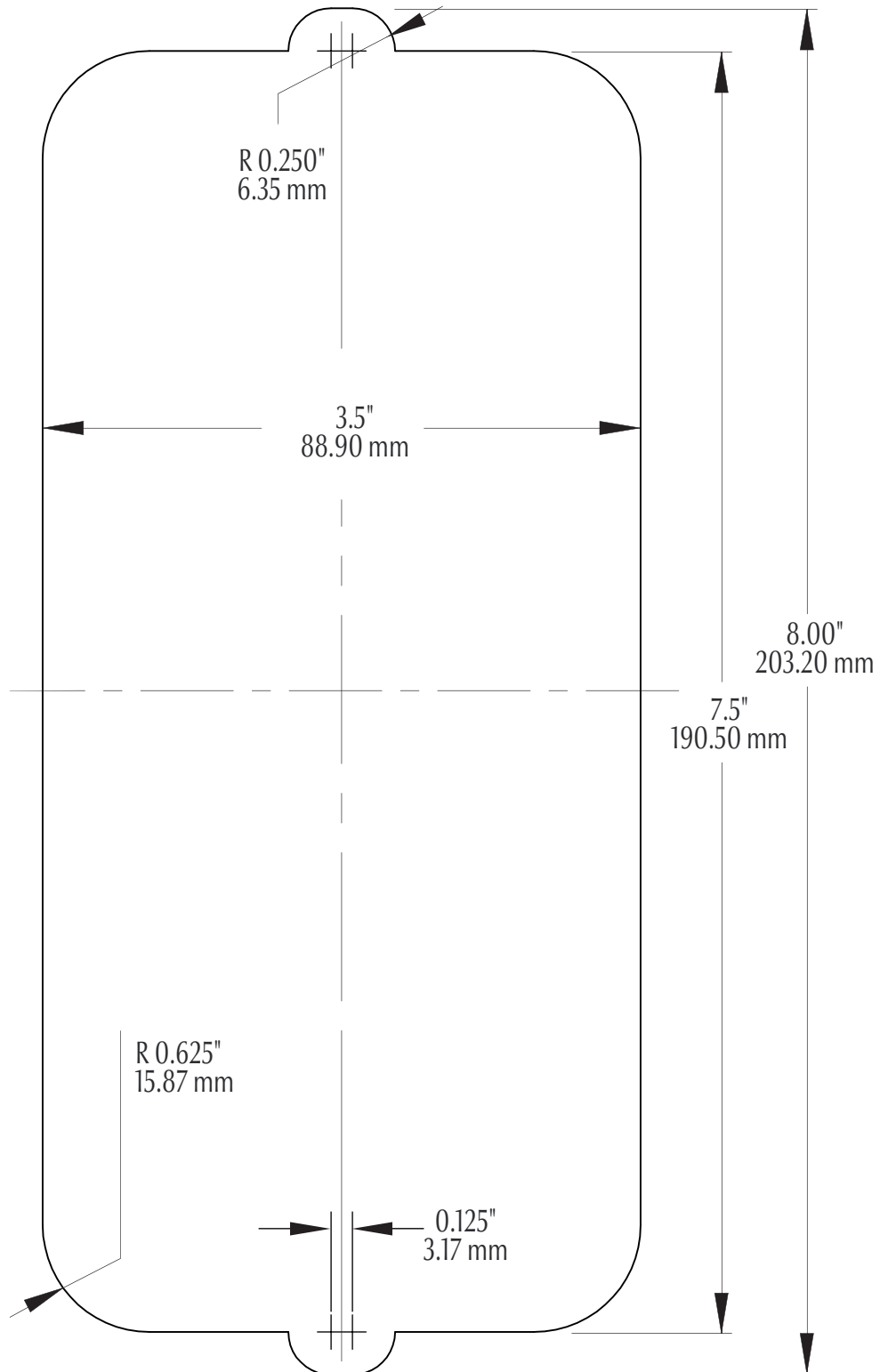
Clean the installation surface and peel the adhesive gasket from the back of the keypad.

Insert keypad and align it correctly, then ensure it is properly glued by gently pressing evenly on the entire surface.



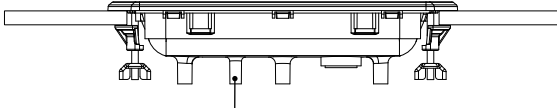
Installation

Drilling template

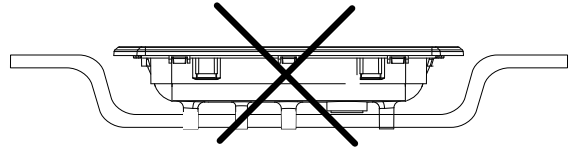


Installation

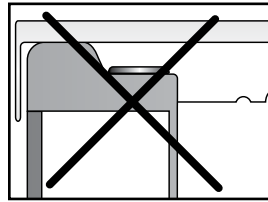
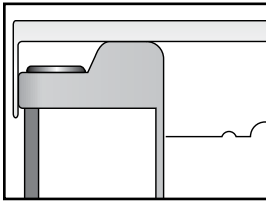
Installation notes



Vent hole on back of keypad should not be blocked.

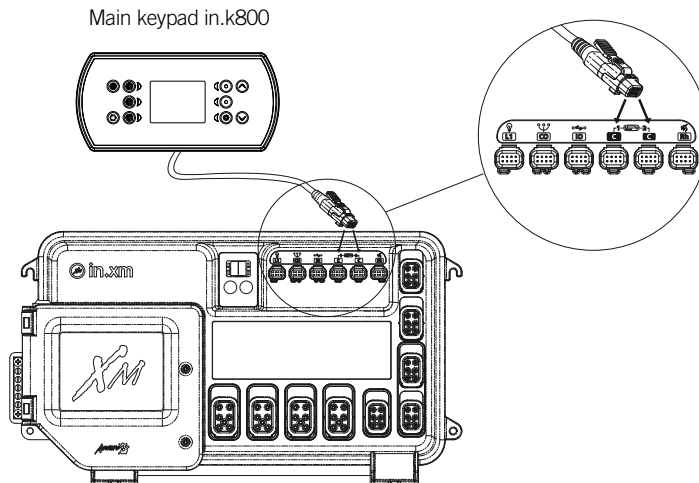


The back of the in.k800 should not be enclosed where water can gather, but instead cut out.



in.k800 must be installed on the outside edge of the hot tub, so that it is not subject to moisture trapped by the cover.

Connecting in.k800 keypad to the spa pack



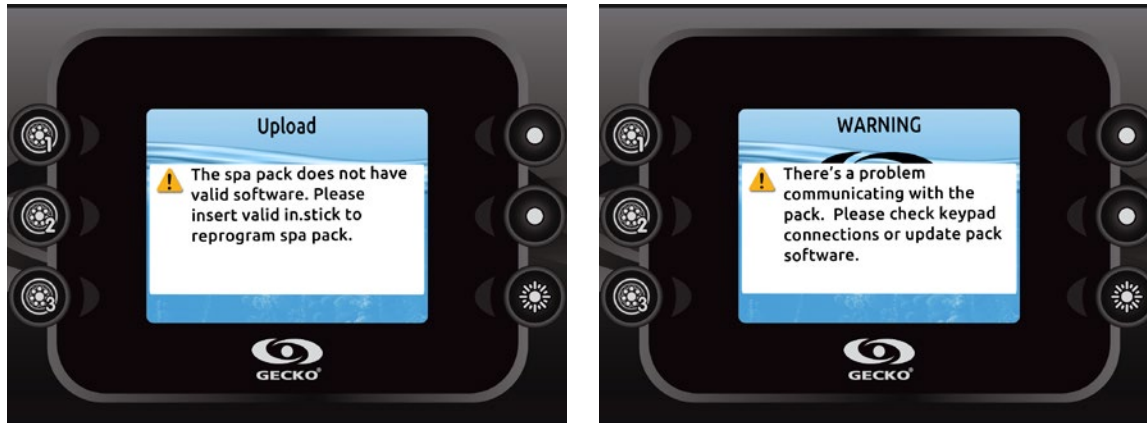
To connect the in.k800 keypad, simply insert its in.link connector into the appropriate keypad connector of the pack enclosure (as illustrated).



Installation

Installation errors

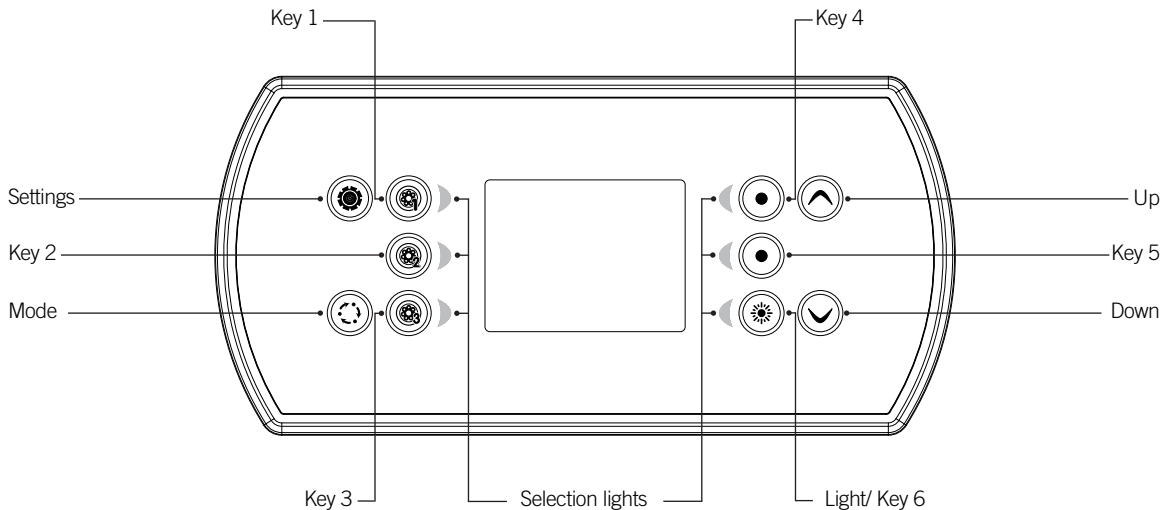
Upon connecting the in.k800 to the spa pack you may see one of two error messages:



Please follow the instructions in the message or contact your dealer for more information.

Keypad functions

in.k800 keypad layout



** Functions for keys 1 to 5 will depend on your system's low level configuration.*

Settings key

One press gives you access to a menu to manage the settings of your spa. Refer to the settings section for details about the settings menu.

Mode key

Successive presses on the Mode key will give access to control different optional accessories of your spa such as Audio and others. Note that if an accessory is not present in your spa configuration, its menu will not appear. Refer to the following section to get details about the possible accessories and their detailed functionalities. The screen will revert back to the spa mode if no key is pressed for 60 seconds.

Depending on pack configuration, Mode key may also be used to change the display orientation when an accessory is not present.



Power

Press any button to turn the keypad on. After 30 minutes without activity it will shut off.

Main screen

The main screen gives you access to your accessories and water temperature. At the bottom of the screen you will see any error or maintenance messages that are present.



Keypad functions



Start or stop accessories

To start or stop an accessory, press the associated button. Icons will become animated when their accessory is turned on, and inanimate when turned off. Icons on the screen will reflect the speed or state of the devices running on your spa.

When an accessory has more than two states, press the button until it reaches the desired state.

Notifications

A notification area at the top right-hand side of the screen shows the state of certain accessories installed in the spa.

Notification icons

in.mix:



- Indicates that an in.mix system is detected. For more information about the in.mix system, refer to the in.mix functions section.

in.clear:



- The icon is green when the in.clear is generating bromine.
- The icon is grey when the in.clear isn't generating bromine.
- A red cross indicates that the in.clear is turned off.

For more information about the in.clear, refer to the in.clear functions section.

in.touch:



- Indicates that the in.touch module is detected and connected to a Wi-Fi network.
- A red cross indicates that the in.touch module is detected but isn't connected to a Wi-Fi network.

For more information about the in.touch, refer to the Wi-Fi section.

in.stream 2:



- The icon is green when the in.stream 2 is ON.
 - The icon is grey when the in.stream 2 is OFF.
- For more information about the in.stream 2, refer to the in.stream 2 functions section.

Keypad security:



- Indicates that the keypad is locked. For more information about keypad security, refer to the keypad settings section.



Keypad functions



Water temperature

The temperature at the bottom of the screen shows the current water temperature. Use the Up and Down keys to set the desired temperature. The set point will appear in blue. After 3 seconds without any change to the set temperature value, the current water temperature will reappear.

When the set value is lower than the current temperature *Cooling to xx.x* will appear below. When the set value is higher than the current temperature, *Heating to xx.x* will be indicated under the value. Normally there is a short delay before the heating starts, during which *Heating Suspended* is indicated under the value.



Settings

From the home page you can access the *Settings*, where you will find:

- *Water care*
- *Audio*
- *in.clear-200 (linked version)*
- *Maintenance*
- *Date and time*
- *Keypad Settings*
- *Wi-Fi (only available on in.touch with software 11.00 or higher)*
- *Miscellaneous*
- *Electrical configuration*
- *About*

Use the arrow keys to move up and down in the list. To select an option, press the lit button next to it (key 2).

At any point you can press the Settings button to return to the home screen or key 1 to go back.



Keypad functions



Water care

The Water Care section will help you set up your ideal filtration and heating settings. Choose from *Away from Home*, *Standard - Beginner*, *Energy Savings*, *Super Energy Savings*, and *Weekender*, depending on your need.

Use key 2 to choose your setting. A green checkmark will appear on the selected icon to confirm.

In Economy mode, the set point will be reduced by 20°F*, which means that the heating system will not be engaged unless the temperature falls to 20°F below the spa's set temperature.

The filtration schedule shown on the screen will apply to the main filtration pump, most likely pump 1. If your spa uses a circulation pump configured to run 24 hours, the screen will show you the purge setting instead of filtration. The purges are pre-programmed for a fixed number of minutes, therefore the duration will be set to N/A on the screen, and only the start time can be modified.

* Default pack value

Water care modes



Away:

In this mode the spa will always be in economy; the set point will be reduced by 20° F.



Standard - Beginner:

The spa will never be in economy mode and will be filtering according to the pack's low level configuration.



Energy Savings:

The spa will be in economy mode during the peak hours of the day and resume normal mode during the evening hours and on the weekend.



Super Energy Savings:

The spa will always be in economy mode during peak hours, every day of the week.



Weekender:

The spa will be in economy mode from Monday to Friday, and will run normally on the weekend.



Default Settings:

When you select Default Settings you will be asked to confirm your choice. Doing so will restore all Water care schedules to default settings.

Keypad functions



Modifying schedules

To modify a Water Care mode, use the lit key to the right (key 5) to open the selected Water Care menu.

You can add schedules by scrolling down to *Add*, and selecting with key 2.

To delete a schedule, press key 4.

You can modify the programmed schedules by selecting one and adjusting the schedule using the arrow keys. Use key 2 to move between parameters.

You have several possibilities for the schedule (Mon-Fri, weekend, every day, or single days). The schedules will be repeated every week. The time and duration are set in 30 minute increments. Once you have set the schedule, use key 1 to go back. Ensure that you have selected the desired Water Care mode in the main Water Care menu.



Audio

The in.k800 can be used with the in.tune, in.stream or in.stream 2 audio system.

The Audio section in the *Settings* menu gives you the option to disconnect or unpair your Bluetooth enabled device when using the in.stream.

The in.stream 2 *Settings* menu gives you a Bluetooth disconnect feature and an audio control on fader, balance and subwoofer.

For more information on audio functions, see the in.tune, in.stream or in.stream 2 operation section.



Keypad functions



in.clear-200 (linked version)

The in.k800 keypad can be used with the in.clear sanitization system. The *in.clear* section allows you to configure your maintenance settings and Boost level. For more information on maintenance and Boost settings, see the in.clear user manual.

Use the Up and Down keys to make your selection, then key 2 to confirm.

Use the Up and Down keys to change the maintenance or Boost value, and key 2 to confirm.

* If the maintenance value is modified by more than 2, a warning message will appear with an option to cancel or confirm the change.



Maintenance

From the *Settings* page you can access the *Maintenance* menu, which gives you access to the following options:

- *Maintenance reminders*
- *Standby*

Use the Up and Down keys to make a selection, and key 2 to confirm.

Keypad functions



Maintenance reminders

The in.k800 keypad will remind you of maintenance required on your spa, like rinsing or cleaning the filter. Each task has its own duration, based on normal use.

The *Maintenance reminders* menu allows you to verify the time left before maintenance is required, as well as to reset the time once a task is completed.

Use the Up and Down keys to move through the list.

To reset a task select it by pressing key 2, then confirm when prompted. Once you have confirmed the task will be reset.



When you select Reset reminders you will be asked to confirm your choice. Doing so will reset *all* maintenance reminders to default values.



Standby

The *Standby* mode allows you to service your spa. Pumps will stop for 30 minutes, and automatically restart after this time.

Once *Standby* mode has been activated a screen will appear to show that pumps are stopped. The spa page will return at the end of maintenance.

Press on the *Confirm* key to leave Standby mode and restart the spa.



Keypad functions



Date and time

Here you can adjust the time format, change the year, date, and time. Use the arrows to choose the setting that you want to adjust, and select it by pressing key 2.

Use the arrow keys to change the parameters, and key 2 to move between parameters. Key 1 will take you back to the main *Settings* menu.



Keypad settings

In this section, you can change the temperature unit, language, display orientation, rim light color* and keypad security. Note the spa pack must be configured accordingly to be able to change the rim light color.

Use the arrow keys to choose the setting that you want to adjust. Select it by pressing key 2 then use the arrow keys again to change the setting.

When you change the display orientation, the contextual options and arrow keys adjust to the chosen orientation. The Mode and Menu keys remain unchanged, as well as the accessory keys in the main Spa menu.



You can lock the keypad by selecting one of 3 security levels: Unlock, Partial or Full. The Partial level locks the set point adjustment and many options in the settings menu. The Full level locks all keypad functions. To unlock the keypad (either Partial or Full), press and hold the top right key for 5 seconds.

* Since v23.00, if an *in.mix* is installed, you can synchronize the color of rim light with an *in.mix* zone.

Keypad functions



Wi-Fi

For the Wi-Fi menu to appear in the *Settings* menu your in.touch module must be equipped with software version 11.00 or higher. This menu allows you to connect your in.touch module to a Wi-Fi network or to change its network.

For more details about other in.touch connection methods please see the in.touch techbook.

To connect your in.touch module to a wireless network, use the Up/Down keys to go to the Wi-Fi option in the *Settings* menu and key 2 to select it.

After a few seconds the available networks will appear on the screen, as well as their signal strength.

Use the Up/Down keys to move through the list. Select your network by pressing on key 2.

If the Wi-Fi network is password protected enter it when prompted.

- Use the arrow keys to choose your letters
- Use key 6 to move the cursor forward
- Use key 4 to change the type of character (uppercase, lowercase, number, symbol)
- Use key 3 to backspace
- Use key 2 to confirm

If no password is required the in.touch will connect automatically.



Once the in.touch module is connected to a Wi-Fi network a green check mark will appear in the Wi-Fi menu, and the network name will appear in the *Settings* menu.



Keypad functions



Miscellaneous

In this section, you can change the Warm weather* and Info messages options.

You can bypass the pack filtration over-temperature feature. When Warm weather is "Off", the filtration over-temperature is disabled. This feature allows the spa to continue filtering even through the water temperature is high.

You can configure the main window message center. When set to *Display*, all information messages are displayed without exception and when set to *Hide*, some detailed messages are *not* displayed when they occur to keep the message center simple.

** Depending of pack configuration*

Keypad functions



Electrical configuration

Please do not make changes in this section unless you are a qualified electrician.

In this section you can change the low-level configuration, as well as modify the number of phases and the input current.*

Use the Up/Down Keys to move to the selection you want to modify. Use Key 2 to select, and the Up/Down Keys to move through the selections. Press Key 2 again to confirm. Please see the techbook for your spa system for details on low-level settings.

Once you have changed the number of phases in the menu you will be unable to use the Up/Down keys to return to the *Low-level configuration* menu. Please go back and access the menu again.

When you change the low-Level configuration of the pack, all in.k800 settings will reset (same as Factory reset feature).

** Depending on pack configuration, a code may be required to change the low level number, number of phases or input current. This code is "5555".*

Please note that if there are two spa packs in the system (i.e. a Swim Spa installation), the master unit's chosen configuration must support a slave unit. If, after re-booting, the chosen configuration does not support SwimSpa installations, the in.k800 will return (after about 45 seconds) to this configuration menu and prompt the user to select a configuration number again.

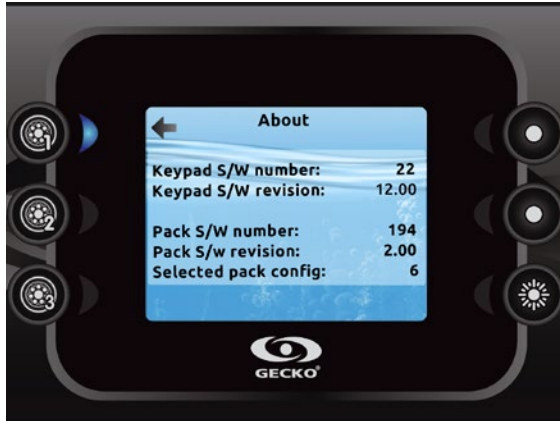
The table below shows the key assignment based on the accessories selected in your pack's low level configuration. Please refer to the pack manual for specifications to identify the low level configuration for your spa.

| Low level configuration | Key 1 | Key 2 | Key 3 | Key 4 | Key 5 | Key 6 |
|-------------------------|--------|--------|--------|--------|-----------------|-------|
| 1 pump | Pump 1 | --- | --- | --- | --- | Light |
| 2 pumps | Pump 1 | Pump 2 | --- | --- | --- | Light |
| 2 pumps + blower | Pump 1 | Pump 2 | Blower | --- | --- | Light |
| 3 pumps | Pump 1 | Pump 2 | Pump 3 | --- | --- | Light |
| 3 pumps + blower | Pump 1 | Pump 2 | Pump 3 | Blower | --- | Light |
| 4 pumps | Pump 1 | Pump 2 | Pump 3 | Pump 4 | --- | Light |
| 4 pumps + blower | Pump 1 | Pump 2 | Pump 3 | Pump 4 | Blower | Light |
| 5 pumps | Pump 1 | Pump 2 | Pump 3 | Pump 4 | Pump 5 | Light |
| 5 pumps + blower | Pump 1 | Pump 2 | Pump 3 | Pump 4 | Pump 5 + blower | Light |

Note that with a special low level configuration, it is possible that the blower has been set to always remain on key 5.



Keypad functions



About

This section shows information about the in.k800 software number, and the revision numbers of the different components of your system.

Keypad functions

in.mix functions

This menu will only appear if an in.mix system is present.



Press on the Mode key to access your in.mix.

This menu is only present if an in.mix system is detected. By default, the in.mix selects Zone 1 when you access the menu. After the first use the menu will automatically return to the last zone selected.

Zone selection

The zone selection keys allow you to select a zone to modify its color.

- Press once to select the zone.
- Press a second time to deactivate the zone.

Changing colors

Once a zone is selected use the arrow keys to change the colors by moving up and down in the color wheel.

Synchronizing zones

The synchronization/desynchronization key allows you to match the color of the selected zone to the other zones.



Keypad functions

in.tune functions

This menu is available only if the in.tune was selected in the audio configuration menu.



Press the Mode key to access your in.tune.

Turning power on/off

Press the Power key to turn the in.tune on or off.

Selecting the source

Press the Source key to choose between CD, Auxiliary input, and Radio.

If no source is selected, the in.tune will use the last selected source.

Play/Pause audio

Press the Play/Pause key to start or pause the audio.

Adjusting the volume

Press the Volume Up or the Volume Down key to increase or decrease the volume.

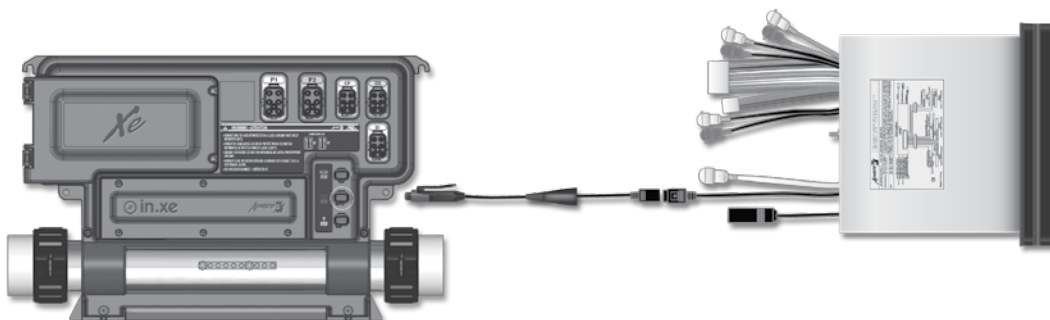
Changing tracks

Use the Last Track and Next Track keys to change tracks for the CD or AUX input. When in Radio mode, the Last Track and Next Track keys will move through preset radio stations on the selected band. To change bands or preset stations, see your in.tune manual.

Connecting the in.tune to the spa pack

See Factory reset/Audio configuration section for details on setting up audio.

Use the adapter cable (Part # 9920-400976) to connect the in.tune to the CO port of the spa pack.



Keypad functions

in.stream functions

This menu is available only if the in.stream was selected in the audio configuration menu.



Press the Mode key to access your in.stream.

If you are using a device with Bluetooth technology, it must be connected for functions to work.

Please note that the Play/Pause and Change Track functions apply to devices using Bluetooth technology only, and will not work when AUX is selected as the source.

If no source is selected, the in.stream system will use the last selected source.

Play/Pause audio

Press the Play/Pause button to start or pause the audio.

Adjusting the volume

Press the Volume Up or the Volume Down key to increase or decrease the volume.

Turning power On/Off

Press the Power key to turn the in.stream on or off.

Changing tracks

Use the Last Track and Next Track keys to change tracks.

Selecting the source

Press the Bluetooth key to select a device using Bluetooth wireless technology.

Press the Source key to use a device connected to the auxiliary cable.

Disconnect or Unpair Bluetooth

These options can be found under the Audio section in the Settings menu.

Connecting the in.stream to the spa pack

See Factory reset/Audio configuration section for details on setting up audio.

Use the adapter cable (Part # 9920-400976) to connect the in.stream to the CO port of the spa pack.





Keypad functions

in.stream 2 functions

This menu is available only if the in.stream 2 was detected at power up.



Press the Mode key to access your in.stream 2.

If you are using a device with Bluetooth technology, it must be connected for functions to work.

Please note that the Play/Pause functions apply only to Bluetooth and USB source. Change Track or station functions works with all sources except AUX.

Turning power On/Off

Press the Power key to turn the in.stream 2 on or off.

Selecting the source

Press the Source key to toggle between available sources.

Play/Pause audio

Press the Play/Pause button to start or pause the audio.

Adjusting the volume

Press the Volume Up or the Volume Down key to increase or decrease the volume.

Changing tracks

Use the Last Track and Next Track keys to change tracks. Note that on FM these functions can be use to change stations.

Disconnect

This option can be found under the Audio section in the Settings menu.

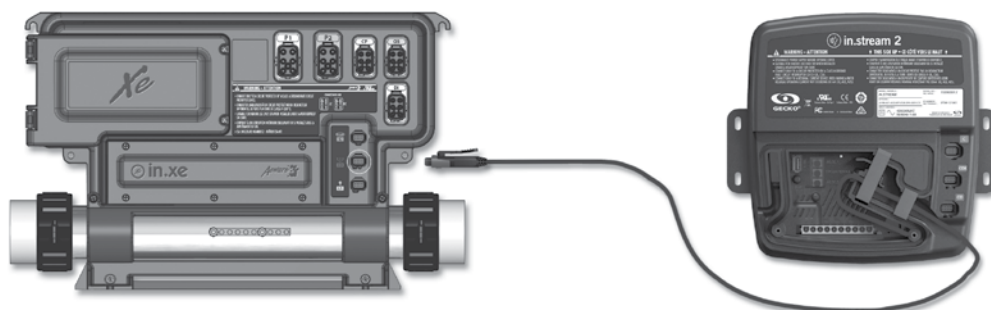
Fader, Balance and Subwoofer

Fader, Balance and Subwoofer settings can be edited under the Audio section in the Settings menu if your in.stream 2 supports it.

Connecting the in.stream 2 to the spa pack

See Factory reset/Audio configuration section for details on setting up audio.

Use the CO cable (Part # 9920-401244) to connect the in.stream 2 to the CO port of the spa pack.





Keypad functions

in.clear functions

This menu is only available if an in.clear linked is detected.



Press on the Mode key to access your in.clear module.

This menu allows you to activate or deactivate your in.clear, to start or stop a Boost, and to enter diagnostic mode.

Turning the in.clear on/off

Press the power key to turn the in.clear on or off.

Control the Boost level

Press on the Boost activation/deactivation key to start a Boost, and again to cancel.

To adjust the Boost level use the arrow keys.*

A message indicating that Boost mode is active is displayed at the bottom of the main screen for the duration of the Boost.

Diagnostic Mode

Press on the Diagnostic key to start a BromiCharge concentration level test. To exit diagnostic mode press on the Diagnostic key again. The system will automatically exit after 15 minutes.

In diagnostic mode, the BromiCharge gauge indicates the approximate level of BromiCharge in the spa water. Do not add BromiCharge if the indicator is in the green zone.



When BromiCharge is added the indicator will move slowly to the right. When water is added to the spa the indicator will move to the left. To obtain a good level of BromiCharge, start the pumps and add the specified amount of BromiCharge** and allow 5 minutes for the indicator to adjust before adding more.

For optimal performance, aim for the middle of the green zone.

* See the in.clear user manual for more details about Boost levels.

**For more information on adjusting your BromiCharge level see the in.clear user manual.



Error messages

The list below shows the different error messages that can appear on the home screen. Refer to the troubleshooting and error codes section of the TechBook for your spa pack system.

Please note that if you are in swim spa configuration, the message may be followed by a "Master" or "Slave" to designate from which pack the error is coming from.

| Code (not displayed) | Message |
|-------------------------|---|
| HL | High Limit circuit has tripped! |
| FLO - L01 FLO - L02 FLO | FLO condition - Check filter, pump, blockage, air lock and water level |
| NO FLO | Persistent NO FLO, all off - Check filter, pump, blockage, air lock and water level |
| HR | A hardware error was detected (Relay stuck) |
| OH | Spa temperature is too high |
| Prr | Temp probes or detection circuit are defective |
| AOH | Elevated internal temperature |
| FLC | The pressure switch is closed |
| SP in | Input voltage issue |
| RH NC | Comm. error between in.xm2 - in.therm |
| RH ID | in.xm2 and in.therm incompatible |
| SC ER | Error detected during the learning mode |
| F1 | in.xm2 Fuse # 1 is blown |
| F2 | in.xm2 Fuse # 2 is blown |
| F3 | in.xm2 Fuse # 3 is blown |
| ER1 | SwimSpa config. : slave unit is missing |
| Hr | Hardware error was detected (Thermal fuse) |
| UPL | The spa pack does not have valid software. Please insert valid in.stick to reprogram spa pack. |
| CFLO | No Flow condition |
| HIBr | Add fresh water to the spa |
| HiBr | Add fresh water to the spa |
| LoBr | Add BromiCharge to spa water |
| NoBr | Add BromiCharge to spa water |
| Comm | Verify cable connections |
| Supp | Connect power cord to 240 V source |



Feature matrix

The following table presents the features and/or options available for the in.k800 keypad, and the earliest software version at which this feature/option is available. All versions greater than the earliest version continue to support the feature (unless otherwise noted).

| Keypad functions | Earliest version |
|-------------------------------|-----------------------------|
| Power | 3.00 |
| Main screen | 3.00 |
| Notifications | 12.00 |
| Start or stop accessories | 3.00 |
| Water temperature | 3.00 |
| Settings | 3.00 |
| Water care | 3.00 |
| Water care modes | 3.00 |
| Modifying schedules | 3.00 |
| Audio | 3.00 |
| in.clear-200 (linked version) | 6.00 ** |
| Maintenance | |
| Maintenance reminders | 6.00 |
| Standby | 6.00 |
| Service | 24.00 |
| Error log | 6.00 |
| Flow meter | 19.00 (until version 24.00) |
| Factory reset | 3.00 |
| Date and time | 3.00 |
| Keypad settings | |
| Temperature unit | 3.00 |
| Language | |
| English | 3.00 |
| Français | 3.00 |
| Español | 6.00 |
| Polski | 6.00 |
| Nederlands | 6.00 |
| Deutsch | 6.00 |
| Norsk | 6.00 |
| Svenska | 6.00 |
| Magyar | 15.00 |
| Italiano | 15.00 |
| Português | 15.00 |
| Česky | 19.00 |
| Display | 12.00 |
| Color | 12.00 |
| Security | 18.00 |
| Wi-Fi | 6.00* |
| Electrical configuration | 3.00 |
| Miscellaneous | |
| Warm weather | 19.00 |
| Info messages | 24.00 |
| in.mix functions | 6.00 |
| in.tune functions | 3.00 |
| in.stream functions | 3.00 |
| in.clear functions | 6.00 ** |
| in.stream 2 functions | 16.00 |
| About | 3.00 |

* Only available with the latest software version of the X and Y Series spa systems, and software version 11.00 or higher of the in.touch module.

** Only available with the latest software version of the X and Y Series spa systems.



Specifications

Part number

0607-008025

Model

IN.K806-CL-GE1

Environmental

Operating temperature: -4°F (-20°C) to 149°F (65°C)
Storage temperature: -22°F (-30°C) to 185°F (85°C)
Water ingress protection: IPX5

Mechanical

Weight: 1.05 lbs (0.48 kg)
Dimensions (W x H x D): 8.730" x 4.231" x 2.029"
(221.74 mm x 107.47 mm x 51.57 mm)

Audio specifications

Audio source supported: in.tune, in.stream and in.stream 2

Compatibility

in.yt, in.ye, in.yj, in.xe, or in.xm2 spa packs with appropriate software revision

Specifications are subject to change without prior notice.



9919-101191-J
Rev. 01-2018

© Groupe Gecko Alliance Inc., 2018
All trademarks or registered trademarks
are the property of their respective owners.

Gecko Alliance
450 des Canetons, Québec (Qc), G2E 5W6 Canada, 1.800.78.GECKO
www.geckoalliance.com

Printed in Canada