

HOUSE OF
DURATECH
innovative pool products

MANUAL
LINK-ONE



DURA **LINK**

TABLE OF CONTENTS

1.Introduction.....	3
1.1 about link-one.....	3
1.2 inside the box.....	3
2.Technical specifications.....	4
3.Installation.....	5
3.1 installation wall bracket.....	5-7
3.2 cable installation	8-10
4.Control.....	11
4.1 one toch button	12
4.2 duracloud app.....	12
5.Accessories.....	13
5.1 installation accs-link-003 and accs-link-004.....	13
6. Troubleshooting.....	13

1. INTRODUCTION

1.1. About LINK-ONE

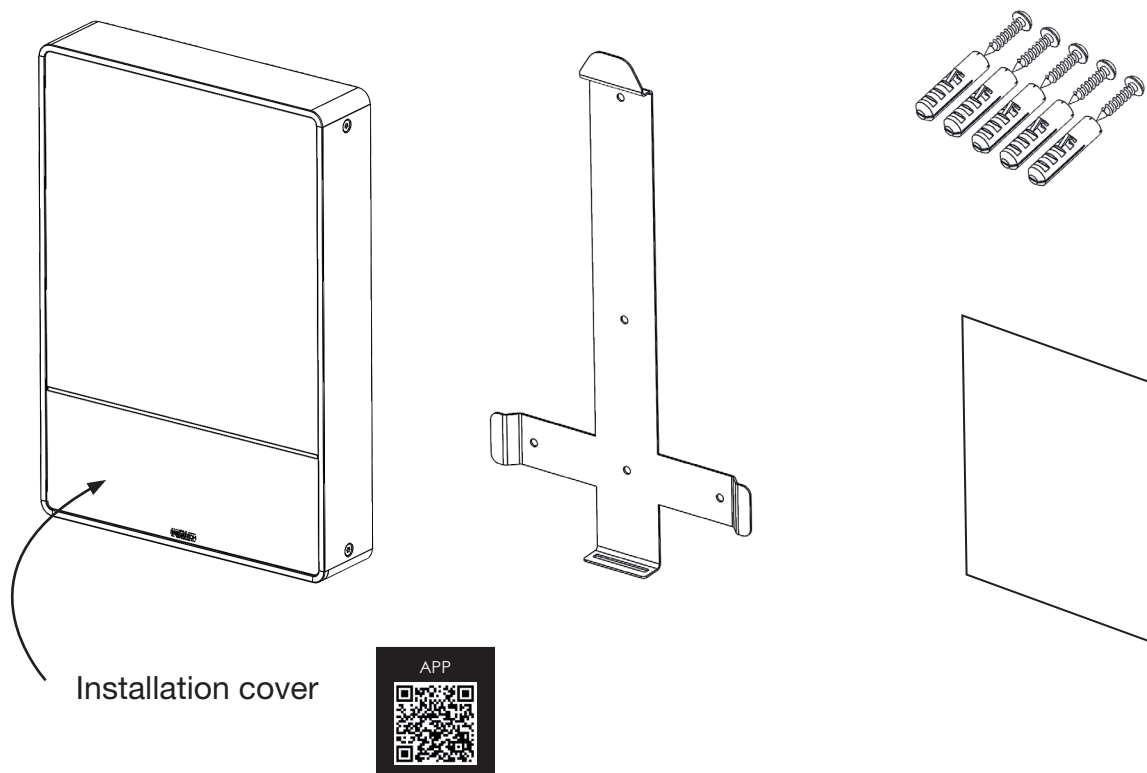
This swimming pool control cabinet is designed for the control of pool lights. During its development, a focus was brought on a clear and installer-friendly layout, with all connection points easily accessible and logically arranged. This simplifies cable installation and reduces the risk of wiring errors.

The control cabinet is suitable for use in combination with our Duravision lighting. In addition, the cabinet can be expanded with a LoRa module for wireless communication and rs485/DMX module.

The control cabinet can be connected to the Duracloud app. By scanning the sticker located on the inside of the installer cover the Duracloud app can be downloaded

1.2. Inside the box

- One LINK-ONE unit
- One Mounting bracket
- Screws and plugs
- Quickstart guide



2. TECHNICAL SPECIFICATIONS

SPECIFICATIONS	LINK-ONE
Type of control DURAVISION	ON/OFF & Duranet
DURA Cloud App	YES
Bluetooth BLE	YES
WiFi 2,4 Ghz	YES
Rated input voltage	230 V AC 50-60 Hz
Output voltage	12V AC 50 Hz SELV
Output power	max. 120 VA
IP rating	54
Unit dimensions (LxWxH)	350x245x70
Net weight	3 KG
Ambient temp. operating	0°C-40°C
IEC protection class	II

CONNECTOR	MM²	WIRE
230V (LE/PE/N)	0,75-6	solid & stranded
12V (OUT 1,2,3)	0,75-6	solid & stranded

3. INSTALLATION

The wall mounting bracket is designed for the safe and stable installation of the Link One cabinet onto a wall. The wall bracket must first be securely mounted to the wall. See 3.1 for installation.

After hanging the cabinet, the bottom must be gently pressed towards the bracket until it clicks into place. This click mechanism confirms that the cabinet is properly locked and securely fixed to the wall for normal use.

The wall mounting bracket is intended exclusively for use with the Link One cabinet and must be installed on a suitable wall which can carry the weight of the cabinet. Follow the steps below for correct installation.

Safety Notice

Verify that the wall is suitable to support the weight of the cabinet (3,5 kg) before installation.

Use only fastening materials appropriate for the wall type (e.g. concrete, brick, drywall).

After installation, check that the cabinet is properly locked.

Do not use the wall mounting bracket for purposes other than those described

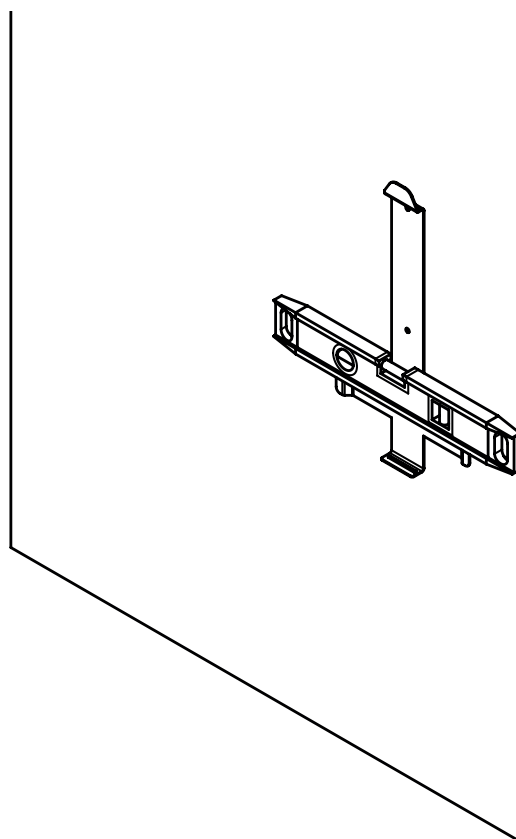
Tools needed:

- Drill diameter 5,5 mm
- Drilling/screw machine
- Spirit level
- Pencil
- Torx bit

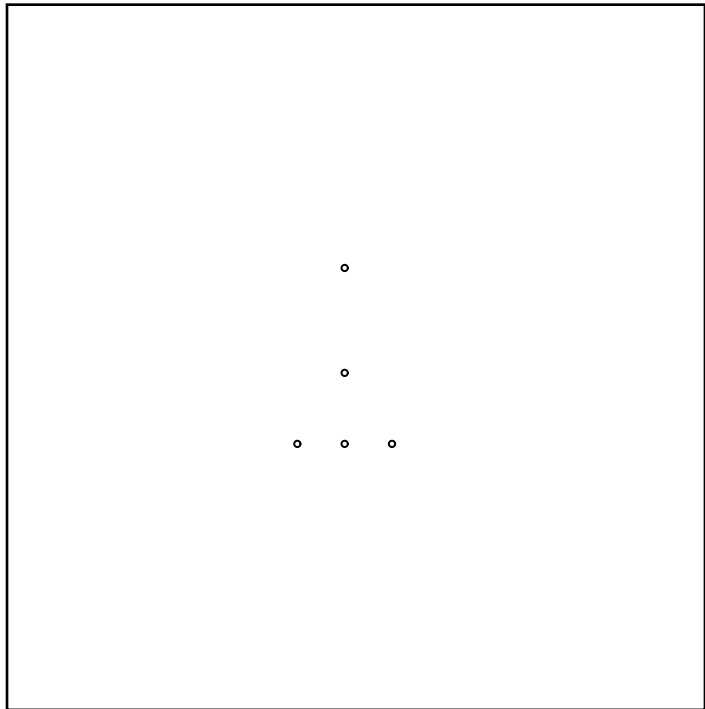
3.1 INSTALLATION WALL BRACKET

1. Place the bracket against the wall (wall must be flat and have no irregularities)

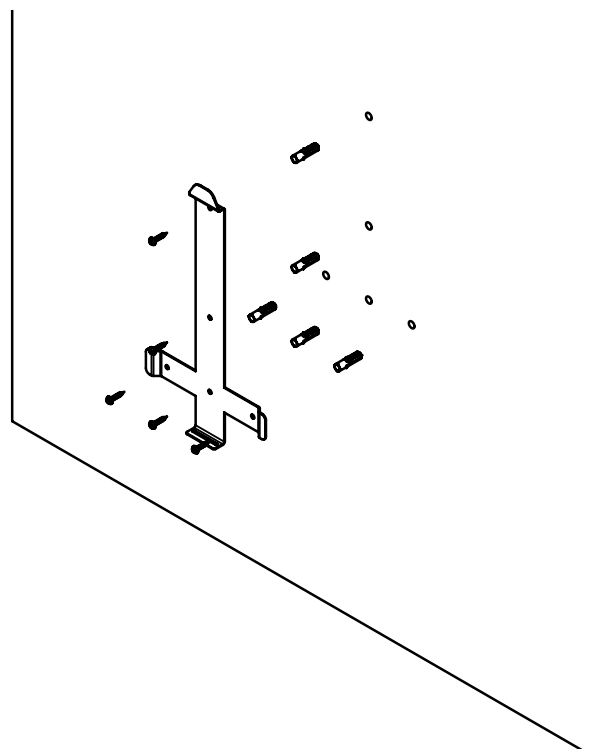
- Verify if the bracket is level and mark the holes



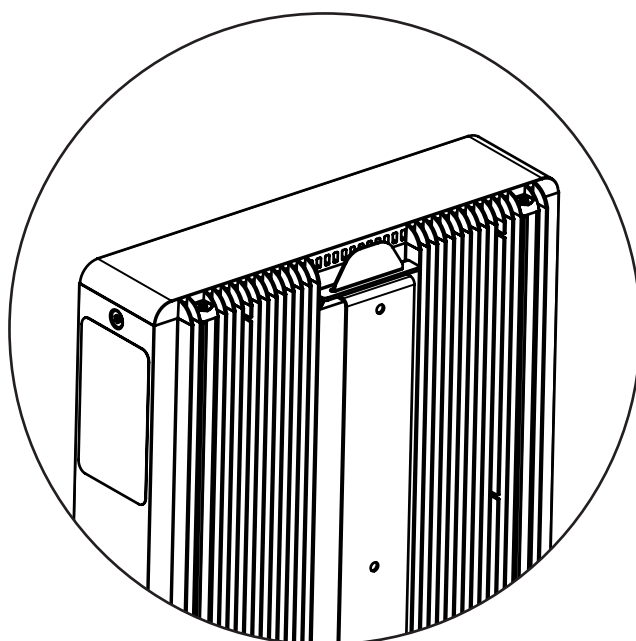
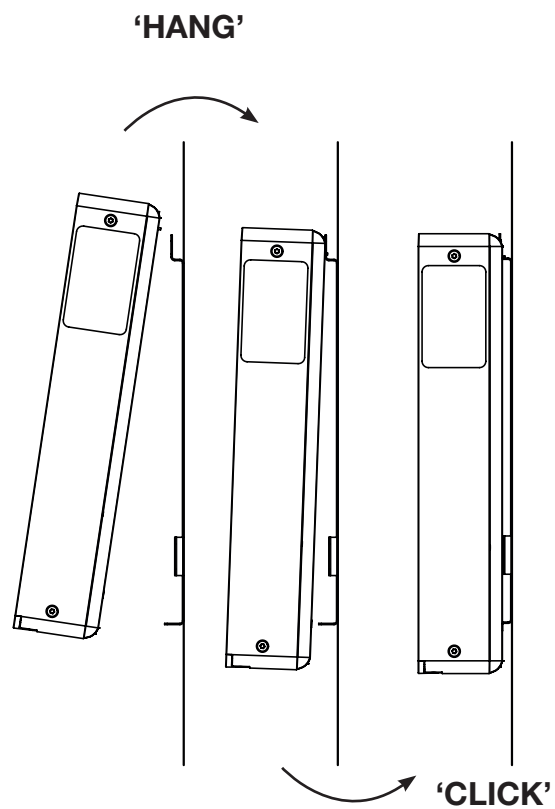
2. Drill the holes with diameter 5,5 mm.



3. Place the plugs in the wall & mount the bracket with the torx screws

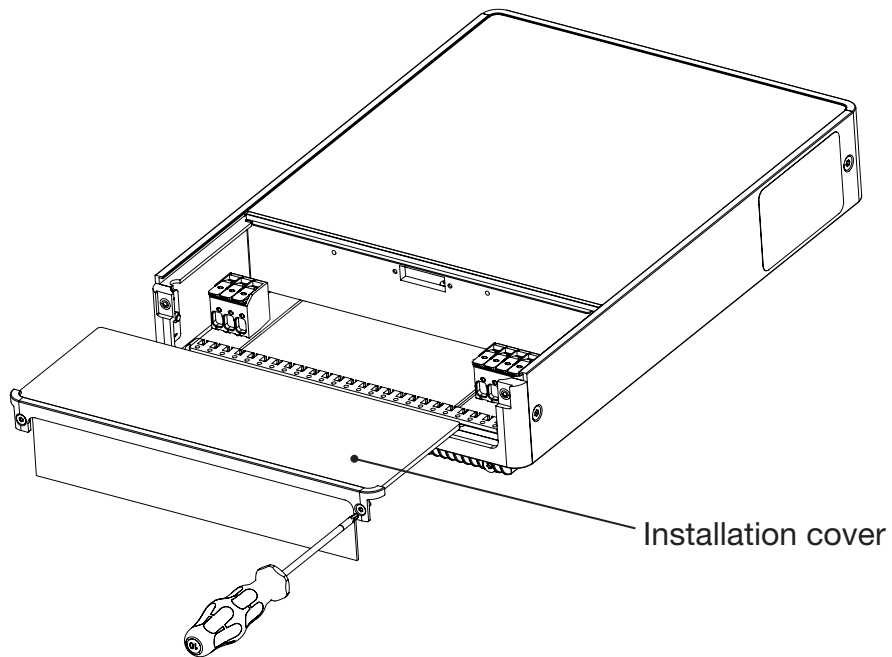


4. Place the device unit as shown in the illustration.

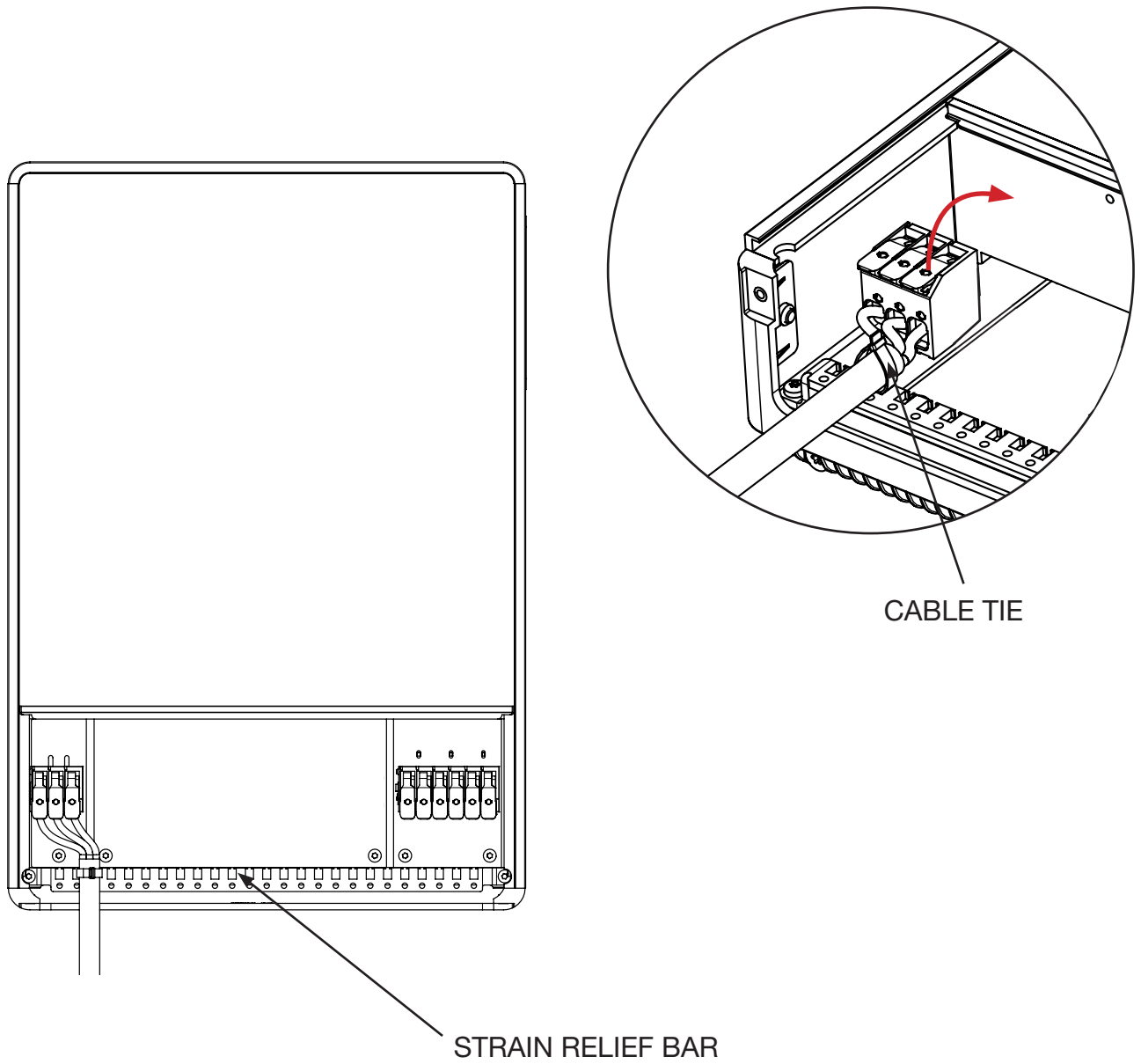


3.2 CABLE INSTALLATION

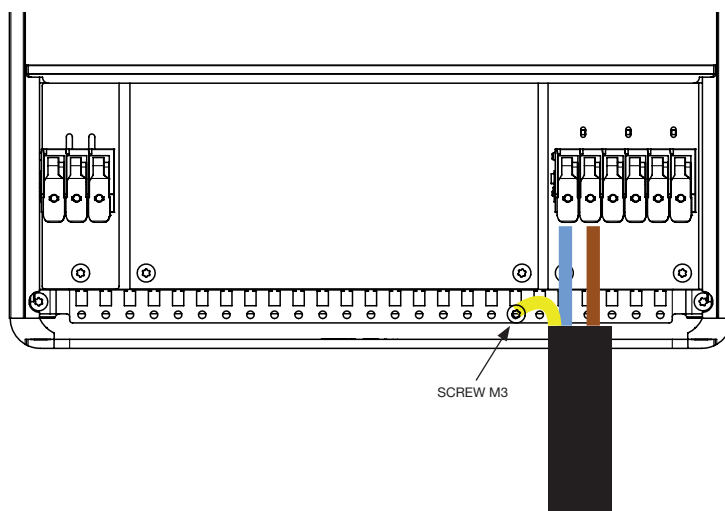
1. Remove torx screws at the bottom of the installation cover.

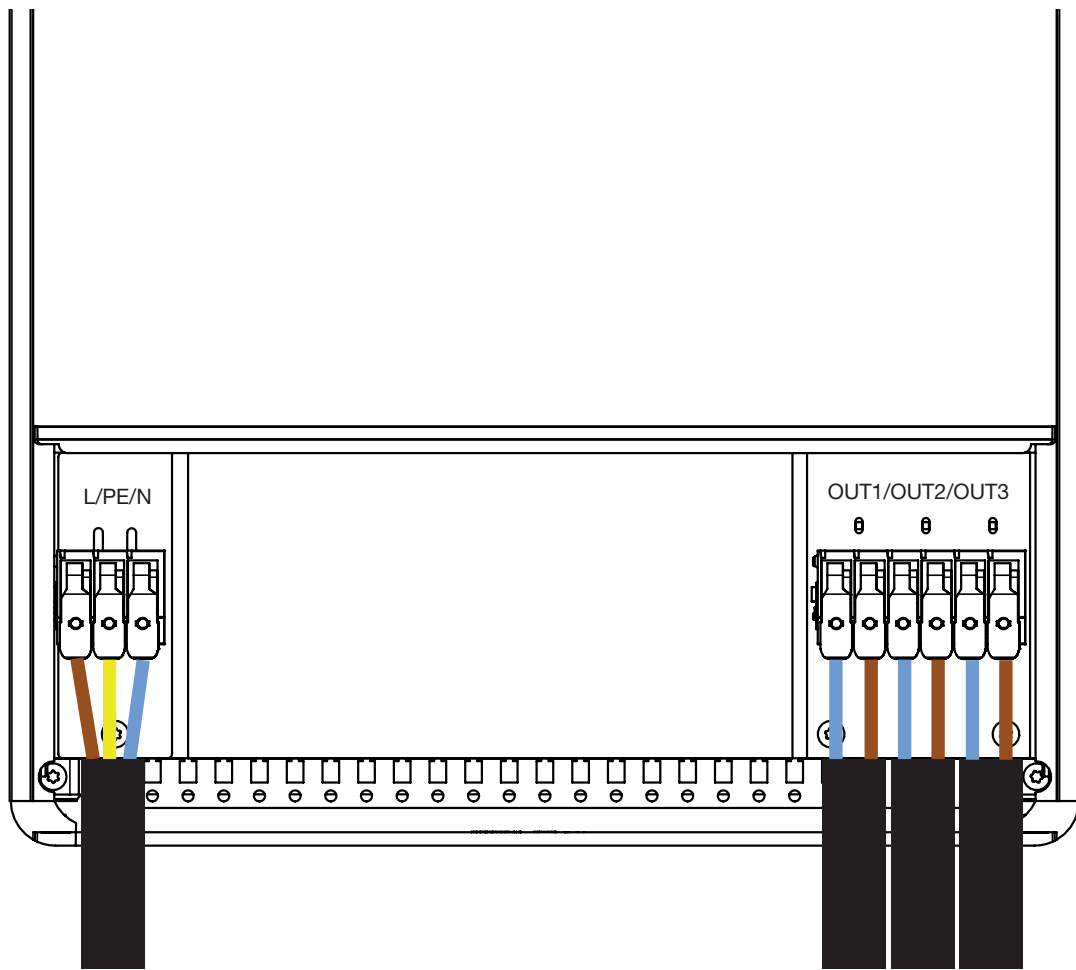


2. Use cable ties to connect the cable to the strain relief bar.



Mount unused cables to the strain relief bar with cable ties and/or screw (M3).





A

L: brown (Line)
PE: yellow (Earth)
N: blue (Neutral)



B

12VAC

CONNECTOR	MM ²	WIRE
230V (LE/PE/N)	0,75-6	solid & stranded
12V (OUT 1,2,)	0,75-6	solid & stranded

4. CONTROL

You can control the swimming pool lamp controller in two ways:

- With the OneTouch button on the device
- With the DuraCloud app (Bluetooth / BLE)

4.1 OneTouch button (on the device)



The touch button is located in the center of the LED ring.

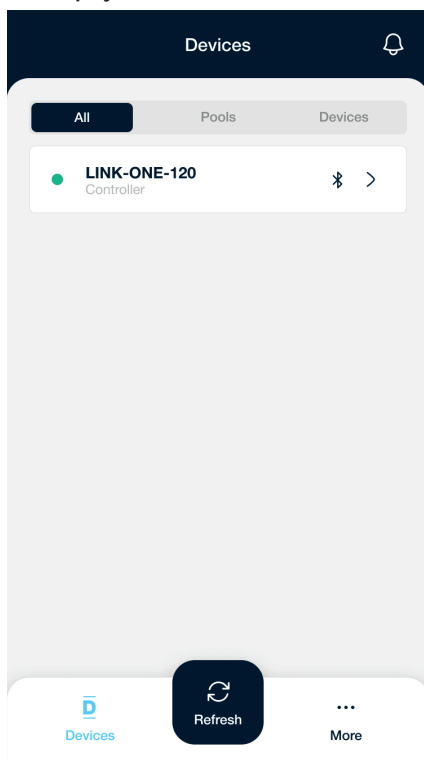
- **Short press:** Turn the lamps ON/OFF (toggle)
- **Long press (more than 10 seconds):** Reset the Bluetooth (BLE) connection
Use this if the controller won't connect to the app or if you want to pair it again.

4.2 DuraCloud app (BLE)

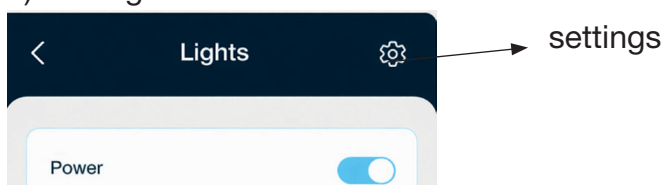
The DuraCloud app lets you set up and control the controller using Bluetooth (BLE)

1) Find your controller

1. Open the DuraCloud app.
2. Go to Devices.
3. Find your controller in the list.
4. Tap your controller to make connection. Once connected, the led circle will be blue



2) Settings



Dashboard depends on chosen lamp model. By default DVP RGBW lamps. Please select your lamp model in settings.

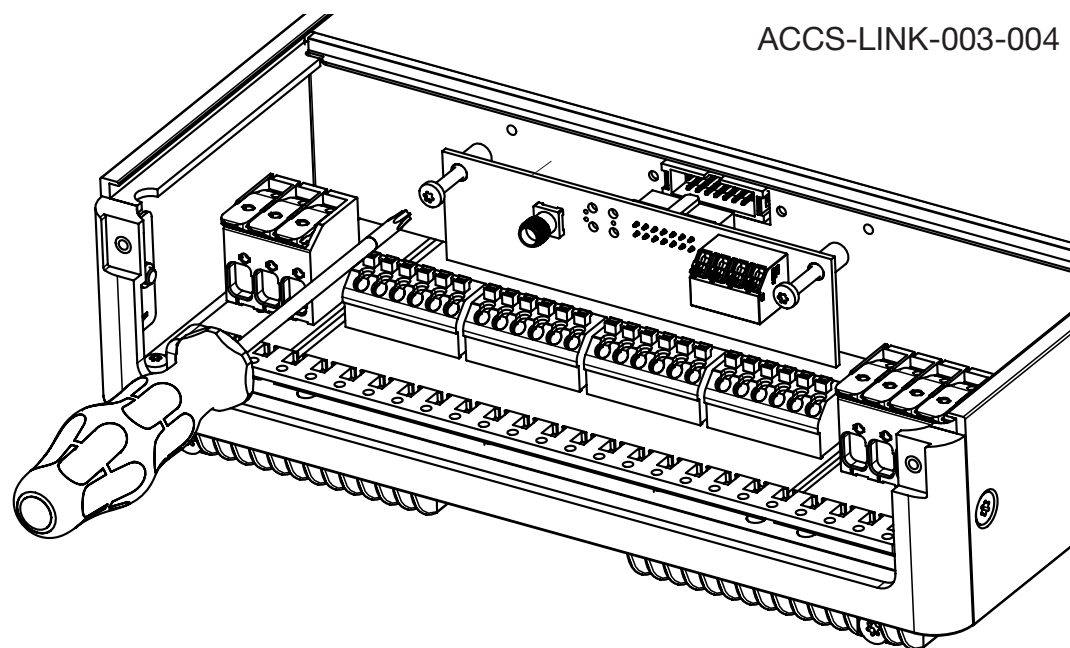
Open Settings to configure the controller options.

3) Control and configure

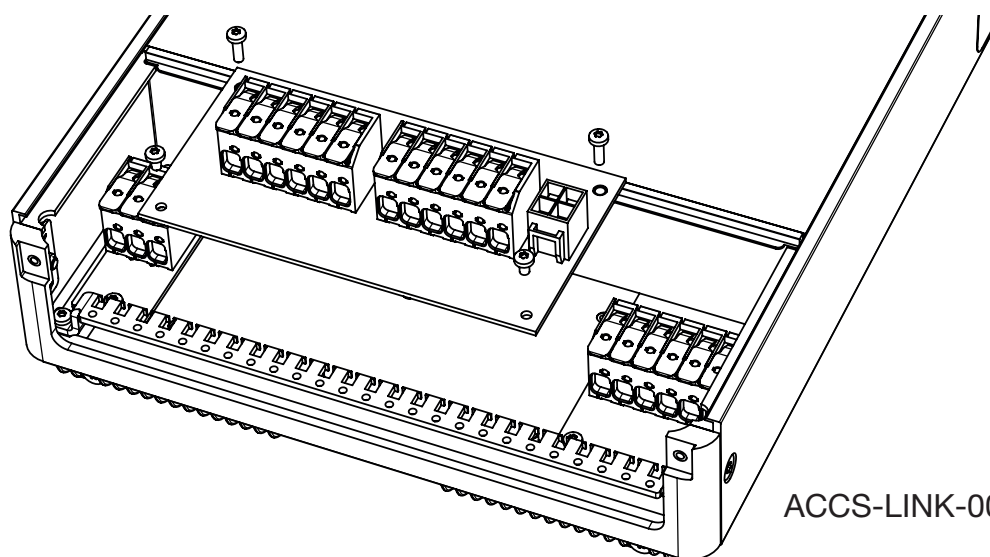
From the Dashboard, you can control the lamps and see the current status

5. ACCESSORIES

5.1 INSTALLATION ACCS-LINK-003,004,005



ACCS-LINK-003-004

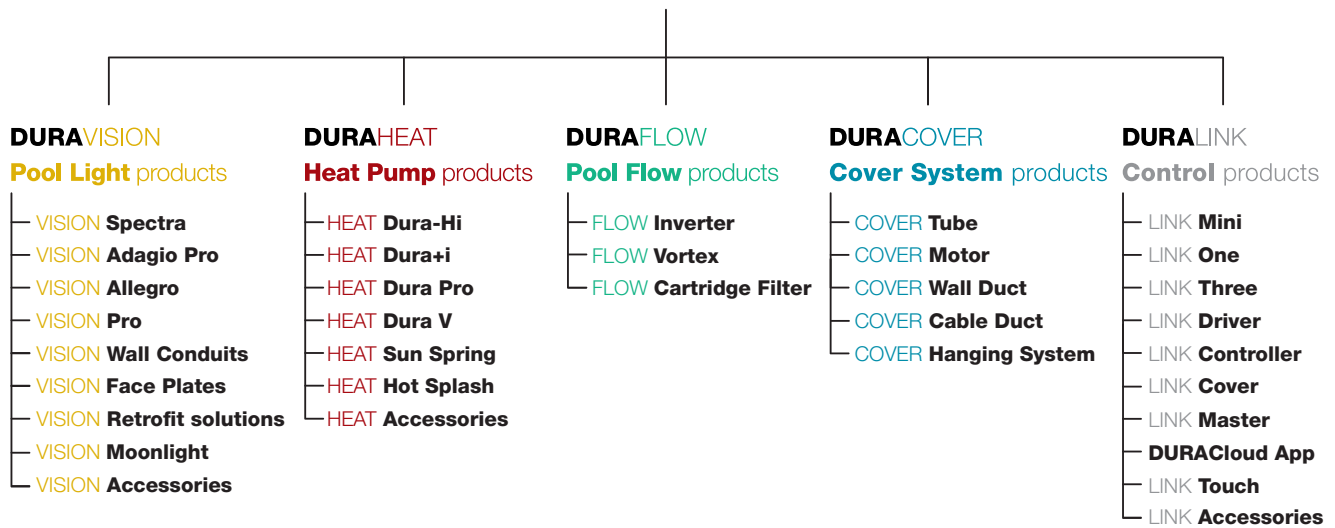


ACCS-LINK-005

6. TROUBLESHOOTING

- Lamp does not react to color change requests via app.
Check if correct lamp model is selected. Each DuraVision lamp has different features.
- Lamps are not synced (each individual lamp shows different color)
Check lamp model
Lamps supporting sync, sync via app
- Cannot detect device via bluetooth.
Check color of led circle. If blue, device is already connected to another app.
Long press the one touch button to reset bluetooth connection.
Check if bluetooth is enabled on phone.

HOUSE OF
DURATECH
 innovative pool products



Contact details

Propulsion Systems BV
 Dooren 72
 1785 Merchtem, Belgium

Tel +32 2 461 02 53
 Fax +32 2 706 59 60

www.duratech.be
info@duratech.be



DURALINK



We reserve the rights to change all or part of the contents of this document without prior notice.