

HOUSE OF
DURATECH
innovative pool products

MANUAL
LINK-MINI



DURA **LINK**

TABLE OF CONTENTS

1. Introduction	
1.1 About LINK-MINI.....	3
1.2 Inside the box.....	3
2. Technical specifications	4
3. Installation.....	5-6
4. One Touch control.....	7-8
4.1 One Touch button.....	7
4.2 DuraCloud app (BLE).....	8
5. Troubleshooting.....	9

1. INTRODUCTION

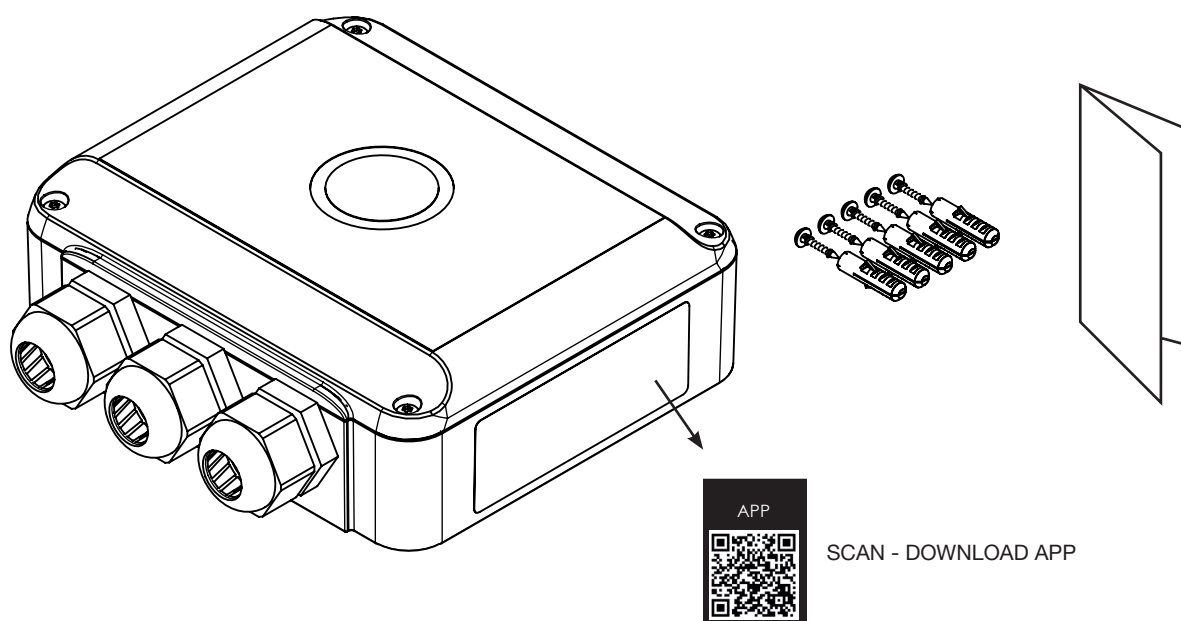
1.1. About LINK-MINI

This swimming pool control cabinet is designed for the control of pool lights. During its development, a focus was brought on a clear and installer-friendly layout, with all connection points easily accessible and logically arranged. This simplifies cable installation and reduces the risk of wiring errors.

The control cabinet is suitable for use in combination with our Duravision lighting. In addition, the cabinet is equipped with an RS485 connection for communication with external systems or dmx. The control cabinet can be connected to the Duracloud app. The app can be downloaded via qr code by scanning the sticker located on the side of the LINK-MINI as shown in the illustration below. This manual describes the operation, connections, and installation requirements of the control cabinet.

1.2. Inside the box

- LINK-MINI unit
- Screws and plugs
- Quickstart guide



2. TECHNICAL SPECIFICATIONS

SPECIFICATIONS	LINK-MINI
Type of control DURAVISION	ON/OFF & Duranet
DURA Cloud App	YES
Bluetooth BLE	YES
Wi-Fi 2,4 Ghz	YES
Nominal input voltage	230 VAC 50 Hz
Transformer VA rating	60 VA
Output voltage (selv)	12 VAC SELV
IEC protection class	CLASS II
IP class	54
Unit dimensions (L*W*H)	150*157*51 mm
Net weight	1,2 kg
Ambient temp operating	0-40 °C

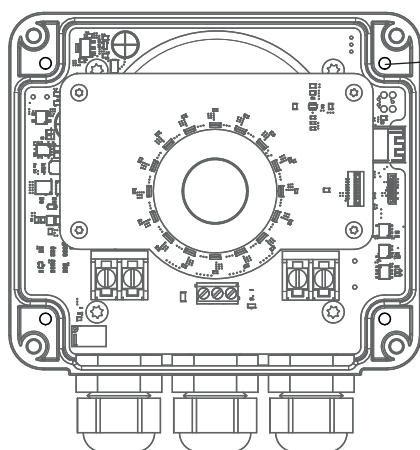
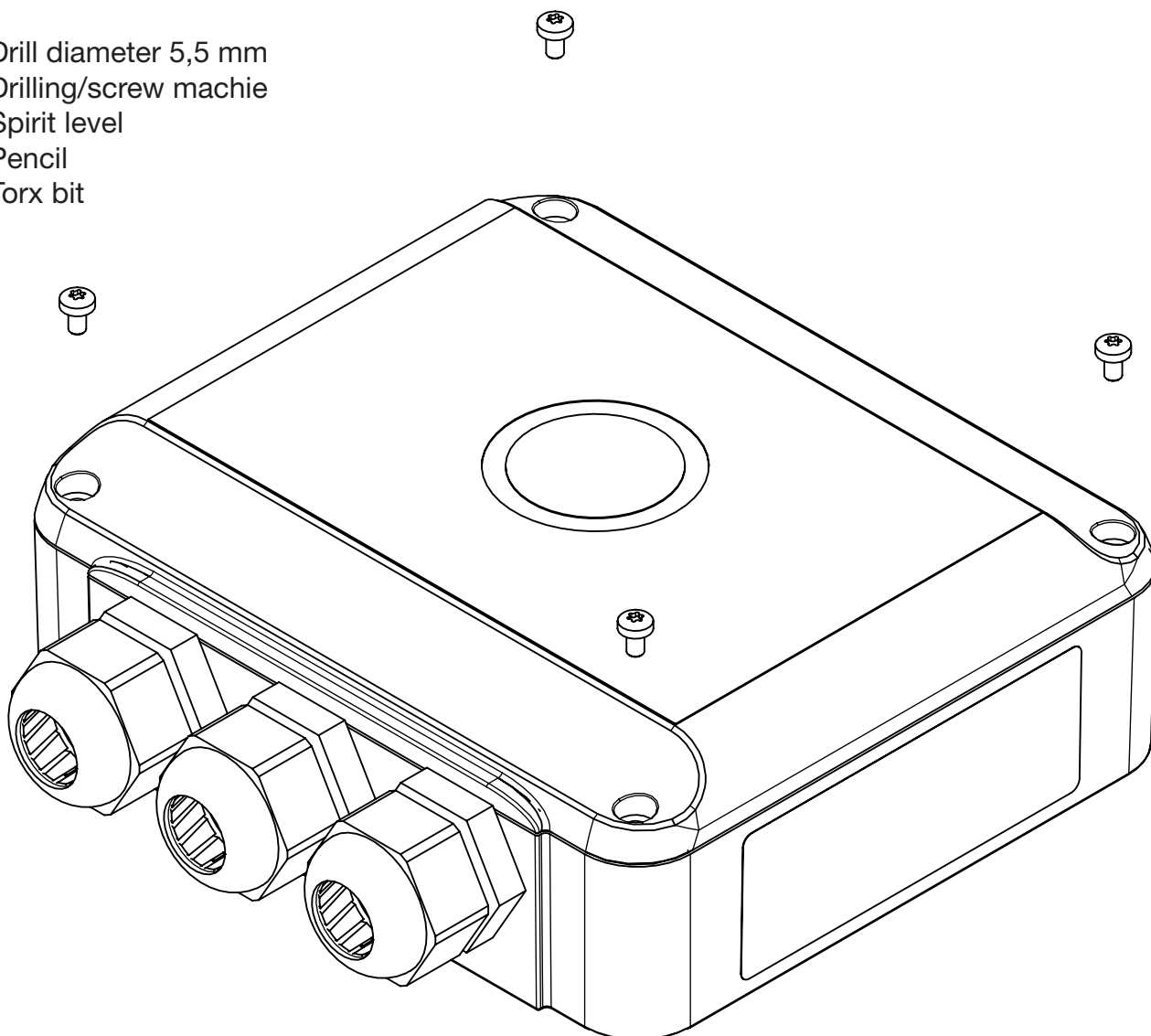
CONNECTOR	MM²	WIRE
RS485	0,2-1	solid & stranded
230V	1-4	solid & stranded
12V	1-4	solid & stranded

3. INSTALLATION

- Open the device by unscrewing the 4 torx screws
- Mount to wall with the screws provided in the packaging.

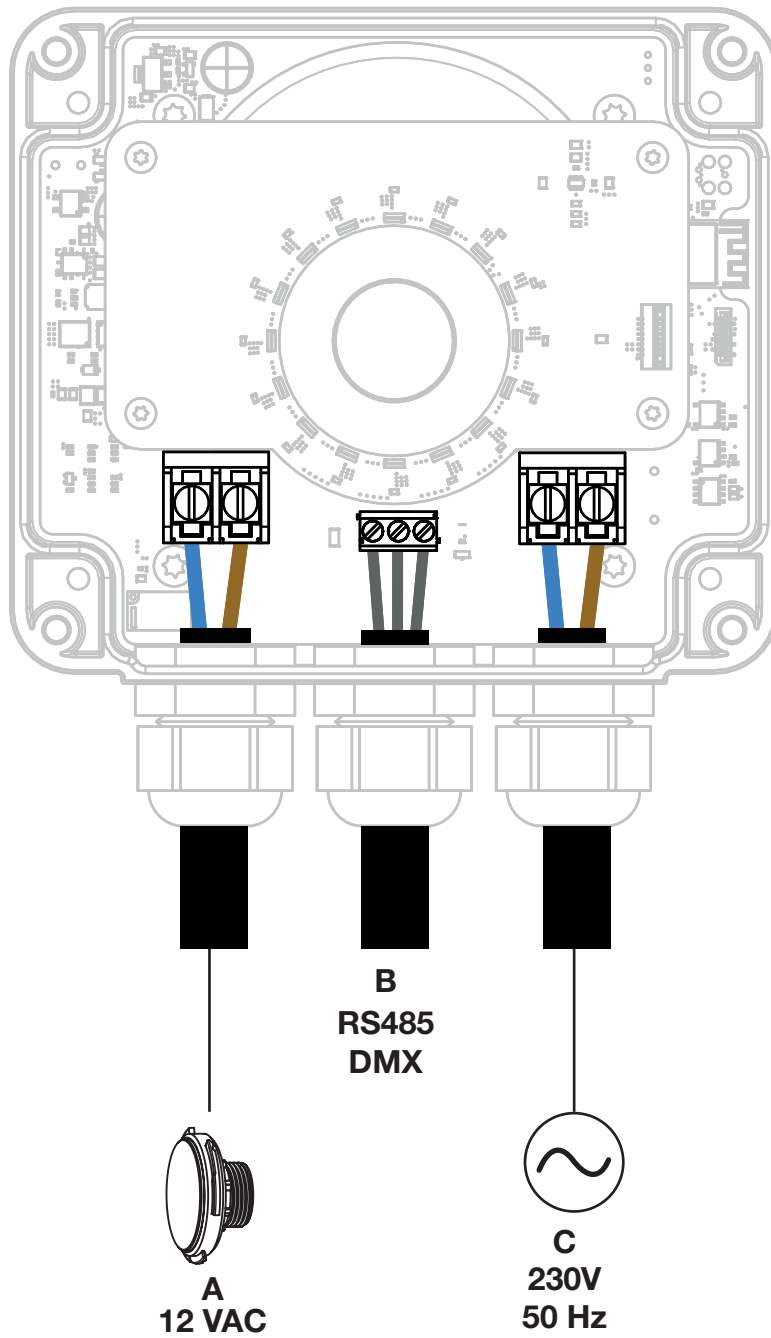
Tools needed:

- Drill diameter 5,5 mm
- Drilling/screw machine
- Spirit level
- Pencil
- Torx bit



MOUNTING HOLES

- Cable connection



CONNECTOR	MM ²	WIRE
RS485	0,2-1	solid & stranded
230V	1-4	solid & stranded
12V	1-4	solid & stranded

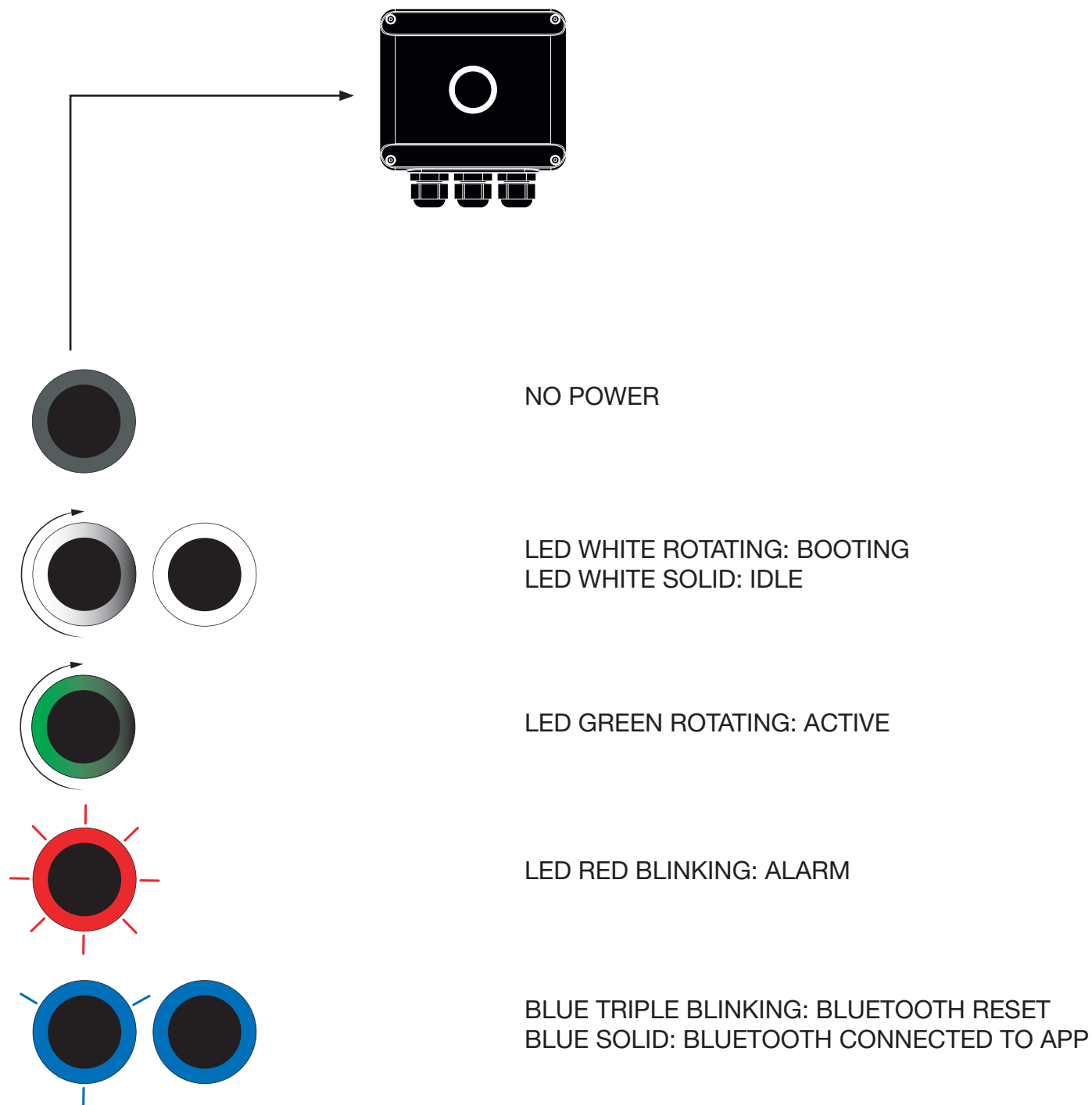
4. ONE TOUCH CONTROL

You can control the swimming pool lamp controller in two ways:

- With the OneTouch button on the device
- With the DuraCloud app (Bluetooth / BLE)

4.1 OneTouch button (on the device)

The touch button is located in the center of the LED ring.



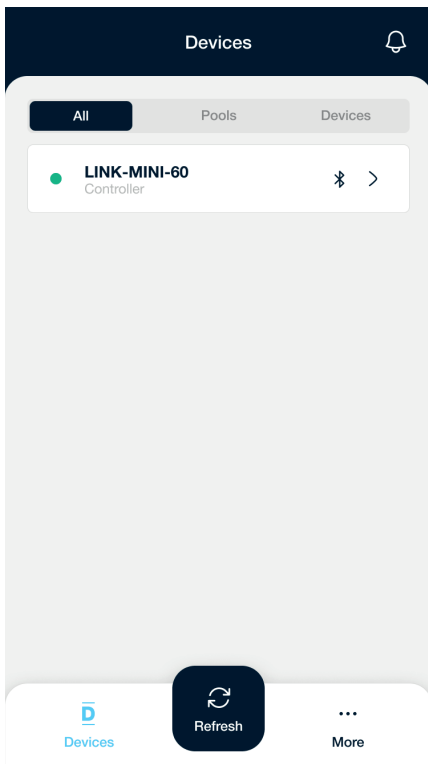
- **Short press:** Turn the lamps ON/OFF (toggle)
- **Long press (more than 10 seconds):** Reset the Bluetooth (BLE) connection
Use this if the controller won't connect to the app.

4.2 DuraCloud app (BLE)

The DuraCloud app lets you set up and control the controller using Bluetooth (BLE)

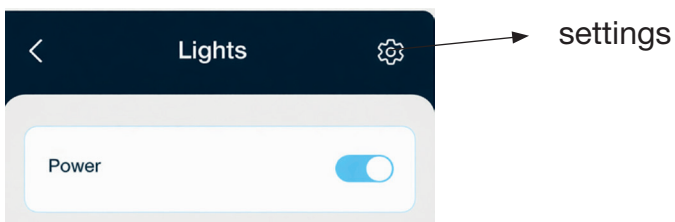
1) Find your controller

1. Open the DuraCloud app.
2. Go to Devices.
3. Find your controller in the list.
4. Tap your controller to open it.



2) Settings

Open Settings in the upper right corner and select lamp model.



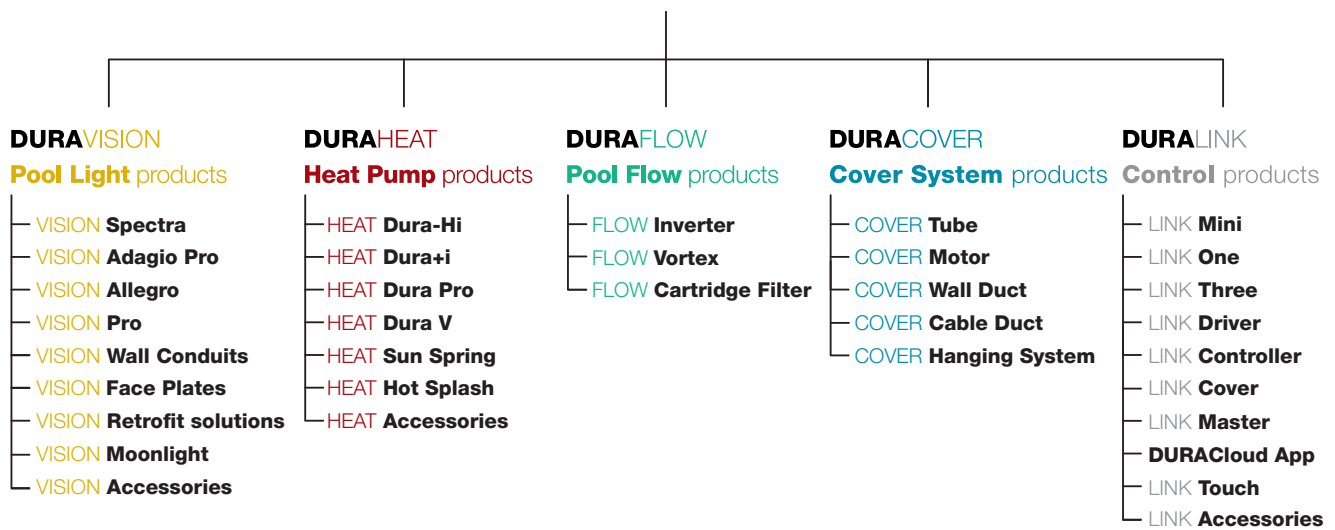
3) Control and configure

From the dashboard, you can control the lamps and see the current status.

5. TROUBLESHOOTING

- Lamp does not react to color change requests via app.
Check if correct lamp model is selected. Each DuraVision lamp has different features.
- Lamps are not synced (each individual lamp shows different color)
Check lamp model
Lamps supporting sync, sync via app
- Cannot detect device via bluetooth.
Check color of led circle. If blue, device is already connected to another app.
Long press the one touch button to reset bluetooth connection.
Check if bluetooth is enabled on phone.

HOUSE OF
DURATECH
 innovative pool products



Contact details

Propulsion Systems BV
 Dooren 72
 1785 Merchtem, Belgium

Tel +32 2 461 02 53
 Fax +32 2 706 59 60

www.duratech.be
info@duratech.be



402-0683-1

DURALINK



We reserve the rights to change all or part of the contents of this document without prior notice.