

Super Pump® Pro

YEARS OF WARRANTY



* Except for SP1606XE81

Proven reliability, especially imagined for professionals

- ➔ **Heavy duty, high performance** motor for quieter operation
- ➔ Extended-life Viton® pump seal for improved **resistance against chemicals**
- ➔ **Easy maintenance:** large basket and exclusive swing-away hand knobs - no tools required
- ➔ **Easy to install:** union kit included
- ➔ Direct replacement of former 2" Super Pump® without any installation modification
- ➔ Recommended for pools **up to 100 m³**



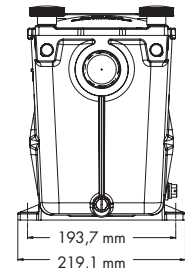
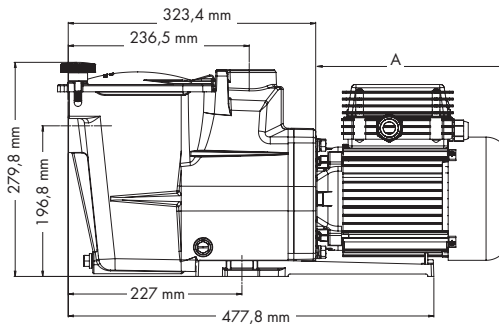
EXPERT LINE



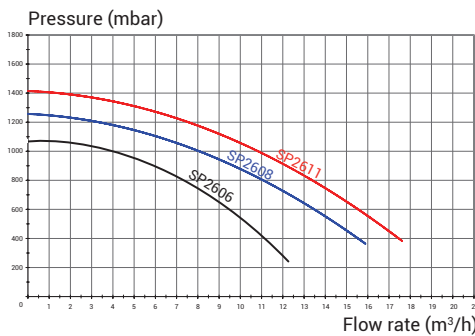
Union kit included



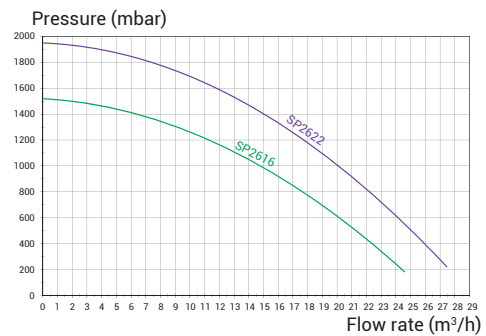
See-through strainer cover



➔ **Unions 50 mm**



➔ **Unions 63 mm**



SINGLE PHASE SUPER PUMP® PRO

Type	Dim. A	Weight	Flow rate*	I/O	Fittings ø	Input Power P1	Output Power P2	Amperage	Item
1/2 HP	205 mm	15 kg	10.3 m³/h	2" & 1.5"	2" : 50 mm	650 W	650 W	2.95 A	SP2606HY81E2
3/4 HP	205 mm	15 kg	12.9 m³/h	2" & 1.5"	2" : 50 mm	775 W	650 W	3.5 A	SP2608HY111E2
1 HP	205 mm	15 kg	14.3 m³/h	2" & 1.5"	2" : 50 mm	790 W	650 W	3.75 A	SP2611HY161E2
1.5 HP	226 mm	15.5 kg	19.3 m³/h	2"	2" : 63 mm	1070 W	790 W	4.8 A	SP2616HY221E2
2 HP	252 mm	19 kg	23.7 m³/h	2"	2" : 63 mm	1540 W	1200 W	7.1 A	SP2622HY251E2

THREE PHASE SUPER PUMP® PRO

1 HP	252 mm	15.5 kg	13.5 m³/h	2" & 1.5"	2" : 50 mm	910 W	600 W	2.6/1.5 A	SP2611HY163
1.5 HP	252 mm	15.5 kg	18 m³/h	2"	2" : 63 mm	1060 W	750 W	2.85/1.65 A	SP2616HY223
2 HP	252 mm	17.5 kg	22.4 m³/h	2"	2" : 63 mm	1310 W	1100 W	4.0/2.3 A	SP2622HY253

* at 8 m water column.